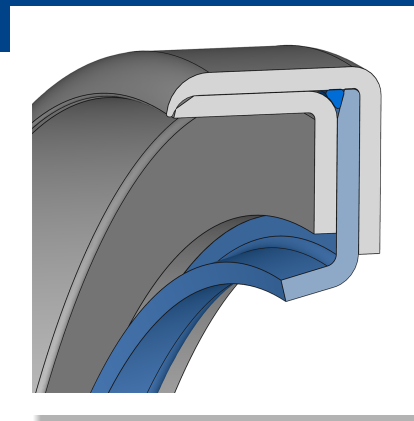




## Radial shaft seal Simmerring® B2PT

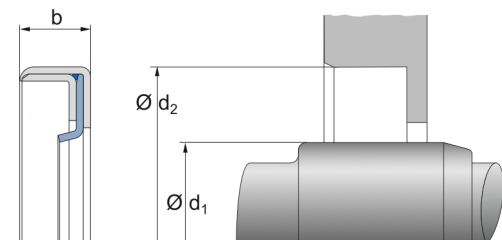


### DESCRIPTION

- Without tension spring
- Open metallic outer jacket
- Without protective lip
- PTFE sealing lip
- Sealing material: graphite PTFE
- Material reinforcement sheet: stainless steel ST 1.4571
- Material o-ring: FKM

### FUNCTION

- Dynamic sealing of a rotating shaft, independent of the direction of rotation
- Self-retaining
- Metallic outer jacket ensures tight and precise fit
- Stiffening plate ensures increased rigidity
- Additional gluing of the seal into the housing is recommended
- Limited sealing of low-viscosity and gaseous media and in split housings
- Only limited static sealing between sealing lip and shaft at standstill
- Design without tension spring creates less friction, but also less sealing effect



### PRODUCT ADVANTAGES

- Tight fit (interference fit)
- High chemical resistance
- High temperature resistant
- Low friction
- No stick-slip effect
- Anti-adhesive (stick-slip-free behavior)
- Suitable for dry running and deficient lubrication
- Highest functional reliability
- Longest service life

### APPLICATIONS

- Chemical engineering
- Mechanical engineering
- Mixers
- Centrifuges
- Pumps
- Rotary pressure feedthroughs

### APPLICATION LIMITS

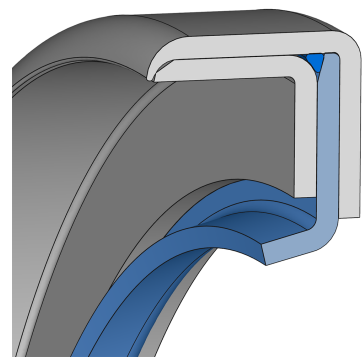
- Permissible maximum values depending on the other operating conditions, see technical manual.

### MEDIA RESISTANCE

- Mineral oils
- Synthetic oils
- Greases
- Water
- Acids
- Lyes
- Solvents
- Gases



## Radial shaft seal Simmerring® B2PT



- When using synthetic oils, please note that the maximum operating temperature for NBR materials must not exceed 80°C.
- Please refer to additional information in the chemical resistance guide at [www.fst.com](http://www.fst.com).

### CONFORMITY AND CERTIFICATES

- Please consult the material data sheet valid for the respective material for current information on approvals and certificates, as this information depends on the compound and cannot be listed exhaustively here.

### DESIGN GUIDELINE

- Please refer to the technical manual for design guidelines.

### INSTALLATION GUIDELINE

- The prerequisite for perfect function of the seal is careful installation in accordance with the technical manual.

### STORAGE ADVISE

- Storage temperature <25°C
- No direct heat sources
- No direct sunlight
- No condensation in the storage room
- No exposure to ozone or ionizing radiation
- Recommendations based on the revision of ISO 2230 dated 16.09.1992

The designation of this seal for sealing rotating shafts is radial shaft seal according to DIN/ISO. The name Simmerring® is a registered trademark of the Freudenberg company. The information contained herein is believed to be reliable, but no representations, warranties or guarantees of any kind are made as to its accuracy or suitability for any purpose. The information reproduced herein is based on laboratory testing and is not necessarily indicative of end product performance. Complete testing and performance of the end product is the responsibility of the user.  
© Freudenberg FST GmbH | [www.fst.com](http://www.fst.com)