

Metric Size List

Radial Shaft Seal Part Numbering System

Radial shaft seals are manufactured in a large range of sizes and styles. To expedite the ordering process a straightforward part numbering system has been developed. Following is a detailed description of this system.

The part number is composed of the seal profile, shaft diameter, bore diameter, width of seal, O.D. treatment (O.D.T.), lip material, case material and spring material. Below is a representation of how the part number is assembled.

profile-shaftborewidthO.D.T.lipcasespring

- Profile: Selected from Profile Matrix (page 48D)
e.g. TB2, UB2
- Shaft: The diameter of shaft where the seal will operate
- Bore: The diameter of bore where the seal will operate
- Width: The width of the seal case
- O.D.T.: Outside Diameter Treatment
- : O.D. sealant (standard)
G : Ground O.D.
(Sealant and Ground only an option on metal O.D. radial shaft seals)
- Lip: Material (page 33C) of primary sealing element
N : Nitrile
T : Polytetrafluoroethylene (Teflon)
F : Fluorocarbon (Viton)
P : Polyacrylate
S : Silicone
E : Ethylene Propylene (EPDM)
H : High Temperature Nitrile
X : Carboxylated Nitrile
- Case: Case material
C : Carbon steel (1008-1010)
S : Stainless steel (30304)
- Spring: Spring material
C : Carbon steel (1070-1090)
S : Stainless steel (30304)

Examples

Typical Part Number

TB2-021002800070-NCC

-- This is profile TB2 for a 21.0 mm shaft, 28.0 mm bore and 7.0 mm width with O.D. sealant, nitrile primary sealing lip, carbon steel case and carbon steel spring.

Ground O.D.

SA2-035006500120GPSS

-- This is profile SA2 for a 35.0 mm shaft, 65.0 mm bore, and 12.0 mm width with a ground O.D., polyacrylate primary sealing lip, stainless steel case, and stainless steel spring.

Hydrodynamic Aid

HSCJR-080011000100-XCS

An "H" is placed in front of the profile designation when a hydrodynamic aid is to be molded into the lip. The design of the hydrodynamic aid (**Hydrodynamic Aids**, page 58D) immediately follows the profile designation.

-- This is profile SCJ with type "R" hydrodynamic aid for a 80.0 mm shaft, 110.0 mm bore, and 10.0 mm width. The seal has a carboxylated nitrile primary sealing lip, carbon steel case, and stainless steel spring.



Metric Size List

Shaft Dia.	Bore Dia.	Seal Width	Seal Design	Seal Number
3.00	13.00	6.30	VC	VC-003001300063
4.00	12.00	6.00	SC	SC-004001200060
	8.00	2.00	VC	VC-004000800020
	9.00	3.00	VC	VC-004000900030
	10.00	4.00	VC	VC-004001000040
	11.00	6.00	VC	VC-004001100060
4.20	15.00	4.25	VC	VC-004001500042
	16.00	8.00	KC	KC-004201600080
4.50	15.00	5.00	KC	KC-004501500050
	26.00	8.00	VC	VC-004502600080
4.80	22.00	7.00	VC	VC-004802200070
	25.00	5.50	KC	KC-004802500055
5.00	15.00	7.00	SC	SC-005001500070
	16.00	6.00	SC	SC-005001600060
	18.00	7.00	TC	TC-005001800070
5.50	8.00	8.50	VC	VC-005500800085
	8.00	11.00	VC	VC-005500800110
	9.00	3.00	VC	VC-005500900030
	16.00	8.00	KC	KC-005501600080
6.00	11.00	4.00	VC	VC-006001100040
	12.00	2.00	WPB	WPB-006001200020
	14.00	4.00	TC	TC-006001400040
	15.00	3.00	VC	VC-006001500030
	16.00	5.00	SC	SC-006001600050
	16.00	7.00	SA2	SA2-006001600070
	16.00	7.00	TA2	TA2-006001600070
	16.00	7.00	VA2	VA2-006001600070
	16.00	7.00	KA2	KA2-006001600070
	16.00	7.00	SB2	SB2-006001600070
	16.00	7.00	TB2	TB2-006001600070
	16.00	7.00	VB2	VB2-006001600070
	16.00	7.00	KB2	KB2-006001600070
	16.00	7.00	SC	SC-006001600070
	16.00	7.00	TC	TC-006001600070
	16.00	7.00	VC	VC-006001600070
	16.00	7.00	KC	KC-006001600070
	16.00	7.00	SBC	SBC-006001600070
	16.00	7.00	TBC	TBC-006001600070
	16.00	7.00	VBC	VBC-006001600070
	16.00	7.00	KBC	KBC-006001600070
	18.00	7.00	KC	KC-006001800070
	18.00	8.00	DC	DC-006001800080
	19.00	7.00	SC	SC-006001900070
	19.00	7.00	KC	KC-006001900070
	19.00	8.00	KC	KC-006001900080
	20.00	5.00	TC	TC-006002000050
	22.00	7.00	SA2	SA2-006002200070
	22.00	7.00	TA2	TA2-006002200070
	22.00	7.00	VA2	VA2-006002200070
	22.00	7.00	KA2	KA2-006002200070
	22.00	7.00	SB2	SB2-006002200070
	22.00	7.00	TB2	TB2-006002200070
	22.00	7.00	VB2	VB2-006002200070
	22.00	7.00	KB2	KB2-006002200070
	22.00	7.00	SC	SC-006002200070
	22.00	7.00	TC	TC-006002200070
	22.00	7.00	VC	VC-006002200070
	22.00	7.00	KC	KC-006002200070
	22.00	7.00	SBC	SBC-006002200070
	22.00	7.00	TBC	TBC-006002200070
	22.00	7.00	VBC	VBC-006002200070
22.00	7.00	TBC	TBC-006002200070	

Shaft Dia.	Bore Dia.	Seal Width	Seal Design	Seal Number
6.00	22.00	7.00	VBC	VBC-006002200070
	22.00	7.00	KBC	KBC-006002200070
6.10	22.00	7.00	TC	TC-006102200070
6.50	14.50	7.00	TC	TC-006501450070
	14.50	7.00	KC	KC-006501450070
6.80	22.00	7.00	TC	TC-006802200070
7.00	13.00	4.00	VC	VC-007001300040
	13.70	4.00	VC	VC-007001370040
	14.00	4.00	VC	VC-007001400040
	16.00	6.00	TC	TC-007001600060
	16.00	7.00	SC	SC-007001600070
	16.00	7.00	TC	TC-007001600070
	19.00	6.30	TC	TC-007001900063
	20.00	5.00	VC	VC-007002000050
	20.00	7.00	SC	SC-007002000070
	20.00	7.00	TC	TC-007002000070
	22.00	7.00	SA2	SA2-007002200070
	22.00	7.00	TA2	TA2-007002200070
	22.00	7.00	VA2	VA2-007002200070
	22.00	7.00	KA2	KA2-007002200070
	22.00	7.00	SB2	SB2-007002200070
	22.00	7.00	TB2	TB2-007002200070
	22.00	7.00	VB2	VB2-007002200070
	22.00	7.00	KB2	KB2-007002200070
	22.00	7.00	SC	SC-007002200070
	22.00	7.00	TC	TC-007002200070
22.00	7.00	VC	VC-007002200070	
22.00	7.00	KC	KC-007002200070	
22.00	7.00	SBC	SBC-007002200070	
22.00	7.00	TBC	TBC-007002200070	
22.00	7.00	VBC	VBC-007002200070	
22.00	7.00	KBC	KBC-007002200070	
26.00	7.00	SC	SC-007002600070	
8.00	12.00	3.00	WPC	WPC-008001200030
	12.00	12.50	VC	VC-008001200125
	14.00	4.00	VC	VC-008001400040
	15.00	5.00	SC	SC-008001500050
	15.00	7.00	SC	SC-008001500070
	16.00	6.00	TC	TC-008001600060
	16.00	7.00	SC	SC-008001600070
	16.00	10.00	TC	TC-008001600100
	18.00	5.00	TC	TC-008001800050
	18.00	5.00	KC	KC-008001800050
	18.00	7.00	TC	TC-008001800070
	18.50	7.50	TC	TC-008001850075
	20.00	5.00	TC	TC-008002000050
	22.00	7.00	SA2	SA2-008002200070
	22.00	7.00	TA2	TA2-008002200070
	22.00	7.00	VA2	VA2-008002200070
	22.00	7.00	KA2	KA2-008002200070
	22.00	7.00	SB2	SB2-008002200070
	22.00	7.00	TB2	TB2-008002200070
	22.00	7.00	VB2	VB2-008002200070
22.00	7.00	KB2	KB2-008002200070	
22.00	7.00	SC	SC-008002200070	
22.00	7.00	TC	TC-008002200070	
22.00	7.00	VC	VC-008002200070	
22.00	7.00	KC	KC-008002200070	
22.00	7.00	SBC	SBC-008002200070	
22.00	7.00	TBC	TBC-008002200070	
22.00	7.00	VBC	VBC-008002200070	
22.00	7.00	KBC	KBC-008002200070	

Metric Size List

Shaft Dia.	Bore Dia.	Seal Width	Seal Design	Seal Number
8.00	22.00	8.00	TC	TC-008002200080
	24.00	7.00	SA2	SA2-008002400070
	24.00	7.00	TA2	TA2-008002400070
	24.00	7.00	VA2	VA2-008002400070
	24.00	7.00	KA2	KA2-008002400070
	24.00	7.00	SB2	SB2-008002400070
	24.00	7.00	TB2	TB2-008002400070
	24.00	7.00	VB2	VB2-008002400070
	24.00	7.00	KB2	KB2-008002400070
	24.00	7.00	SC	SC-008002400070
	24.00	7.00	TC	TC-008002400070
	24.00	7.00	VC	VC-008002400070
	24.00	7.00	KC	KC-008002400070
	24.00	7.00	SBC	SBC-008002400070
	24.00	7.00	TBC	TBC-008002400070
	24.00	7.00	VBC	VBC-008002400070
	24.00	7.00	KBC	KBC-008002400070
25.00	8.00	TC	TC-008002500080	
9.00	18.00	7.00	SC	SC-009001800070
	18.00	7.00	TC	TC-009001800070
	22.00	7.00	SA2	SA2-009002200070
	22.00	7.00	TA2	TA2-009002200070
	22.00	7.00	VA2	VA2-009002200070
	22.00	7.00	KA2	KA2-009002200070
	22.00	7.00	SB2	SB2-009002200070
	22.00	7.00	TB2	TB2-009002200070
	22.00	7.00	VB2	VB2-009002200070
	22.00	7.00	KB2	KB2-009002200070
	22.00	7.00	SC	SC-009002200070
	22.00	7.00	TC	TC-009002200070
	22.00	7.00	VC	VC-009002200070
	22.00	7.00	KC	KC-009002200070
	22.00	7.00	SBC	SBC-009002200070
	22.00	7.00	TBC	TBC-009002200070
	22.00	7.00	VBC	VBC-009002200070
22.00	7.00	KBC	KBC-009002200070	
26.00	7.00	SC	SC-009002600070	
30.00	7.00	SC	SC-009003000070	
9.50	16.00	5.00	SC	SC-009501600050
10.00	15.00	3.00	VC	VC-010001500030
	16.00	4.00	VB	VB-010001600040
	16.00	4.00	SC	SC-010001600040
	16.00	4.00	TC	TC-010001600040
	16.00	4.00	VC	VC-010001600040
	17.00	5.00	SC	SC-010001700050
	17.00	5.00	VC	VC-010001700050
	17.00	5.00	KC	KC-010001700050
	18.00	4.00	SC	SC-010001800040
	18.00	4.00	TC	TC-010001800040
	18.00	5.00	SC	SC-010001800050
	18.00	5.80	TC	TC-010001800058
	18.00	6.00	TC	TC-010001800060
	18.00	8.00	TC	TC-010001800080
	19.00	3.00	VC	VC-010001900030
	19.00	7.00	SB	SB-010001900070
	19.00	7.00	SC	SC-010001900070
20.00	5.00	SC	SC-010002000050	
20.00	5.00	TC	TC-010002000050	
20.00	6.00	SC	SC-010002000060	
20.00	7.00	SC	SC-010002000070	
20.00	7.00	TC	TC-010002000070	
21.00	5.00	SC	SC-010002100050	

Shaft Dia.	Bore Dia.	Seal Width	Seal Design	Seal Number
10.00	21.00	5.00	TC	TC-010002100050
	21.00	10.00	DC	DC-010002100100
	22.00	5.00	TC	TC-010002200050
	22.00	6.00	TC	TC-010002200060
	22.00	7.00	SA2	SA2-010002200070
	22.00	7.00	TA2	TA2-010002200070
	22.00	7.00	VA2	VA2-010002200070
	22.00	7.00	KA2	KA2-010002200070
	22.00	7.00	SB2	SB2-010002200070
	22.00	7.00	TB2	TB2-010002200070
	22.00	7.00	VB2	VB2-010002200070
	22.00	7.00	KB2	KB2-010002200070
	22.00	7.00	SC	SC-010002200070
	22.00	7.00	TC	TC-010002200070
	22.00	7.00	VC	VC-010002200070
	22.00	7.00	KC	KC-010002200070
	22.00	7.00	SBC	SBC-010002200070
22.00	7.00	TBC	TBC-010002200070	
22.00	7.00	VBC	VBC-010002200070	
22.00	7.00	KBC	KBC-010002200070	
22.00	8.00	SC	SC-010002200080	
24.00	6.00	TC	TC-010002400060	
24.00	7.00	TC	TC-010002400070	
25.00	7.00	SA2	SA2-010002500070	
25.00	7.00	TA2	TA2-010002500070	
25.00	7.00	VA2	VA2-010002500070	
25.00	7.00	KA2	KA2-010002500070	
25.00	7.00	SB2	SB2-010002500070	
25.00	7.00	TB2	TB2-010002500070	
25.00	7.00	VB2	VB2-010002500070	
25.00	7.00	KB2	KB2-010002500070	
25.00	7.00	SC	SC-010002500070	
25.00	7.00	TC	TC-010002500070	
25.00	7.00	VC	VC-010002500070	
25.00	7.00	KC	KC-010002500070	
25.00	7.00	SBC	SBC-010002500070	
25.00	7.00	TBC	TBC-010002500070	
25.00	7.00	VBC	VBC-010002500070	
25.00	7.00	KBC	KBC-010002500070	
25.50	7.00	TC	TC-010002550070	
26.00	7.00	SC	SC-010002600070	
26.00	7.00	TC	TC-010002600070	
26.00	9.00	DC	DC-010002600090	
28.00	7.00	TC	TC-010002800070	
32.00	8.00	TC	TC-010003200080	
37.00	6.50	TC	TC-010003700065	
10.50	16.00	4.00	VC	VC-010501600040
10.90	20.00	9.00	VC	VC-010902000090
11.00	15.50	5.00	VC	VC-011001550050
	19.00	6.00	SC	SC-011001900060
	19.00	7.00	SC	SC-011001900070
	21.00	8.00	DC	DC-011002100080
	22.00	7.00	SC	SC-011002200070
	22.00	7.00	TC	TC-011002200070
	22.00	8.00	TC	TC-011002200080
11.60	24.00	10.00	TC	TC-011602400100
12.00	18.00	3.00	VC	VC-012001800030
	18.00	5.00	TC	TC-012001800050
	18.00	5.00	KC	KC-012001800050
	18.00	10.00	KC	KC-012001800100
	19.00	3.00	VC	VC-012001900030
19.00	5.00	SC	SC-012001900050	

ESP METRIC SIZE LIST

Metric Size List

Shaft Dia.	Bore Dia.	Seal Width	Seal Design	Seal Number
12.00	19.00	5.00	TC	TC-012001900050
	19.00	5.00	VC	VC-012001900050
	20.00	5.00	SC	SC-012002000050
	20.00	5.00	TC	TC-012002000050
	20.00	6.00	TC	TC-012002000060
	21.00	4.00	SC	SC-012002100040
	21.00	4.00	KC	KC-012002100040
	21.00	7.00	SC	SC-012002100070
	21.00	7.00	TC	TC-012002100070
	22.00	4.00	VC	VC-012002200040
	22.00	5.00	SC	SC-012002200050
	22.00	5.00	TC	TC-012002200050
	22.00	7.00	SB2	SB2-012002200070
	22.00	7.00	SC	SC-012002200070
	22.00	7.00	TC	TC-012002200070
	22.00	7.00	KC	KC-012002200070
	22.00	9.00	TC	TC-012002200090
	24.00	4.50	SC	SC-012002400045
	24.00	4.50	TC	TC-012002400045
	24.00	7.00	SA2	SA2-012002400070
	24.00	7.00	TA2	TA2-012002400070
	24.00	7.00	VA2	VA2-012002400070
	24.00	7.00	KA2	KA2-012002400070
	24.00	7.00	SB2	SB2-012002400070
	24.00	7.00	TB2	TB2-012002400070
	24.00	7.00	VB2	VB2-012002400070
	24.00	7.00	KB2	KB2-012002400070
	24.00	7.00	SC	SC-012002400070
	24.00	7.00	TC	TC-012002400070
	24.00	7.00	VC	VC-012002400070
	24.00	7.00	KC	KC-012002400070
	24.00	7.00	SBC	SBC-012002400070
	24.00	7.00	TBC	TBC-012002400070
	24.00	7.00	VBC	VBC-012002400070
	24.00	7.00	KBC	KBC-012002400070
	25.00	4.50	SC	SC-012002500045
	25.00	5.00	SC	SC-012002500050
	25.00	5.00	TC	TC-012002500050
	25.00	7.00	SA2	SA2-012002500070
	25.00	7.00	TA2	TA2-012002500070
	25.00	7.00	VA2	VA2-012002500070
	25.00	7.00	KA2	KA2-012002500070
	25.00	7.00	SB2	SB2-012002500070
	25.00	7.00	TB2	TB2-012002500070
	25.00	7.00	VB2	VB2-012002500070
	25.00	7.00	KB2	KB2-012002500070
	25.00	7.00	SC	SC-012002500070
	25.00	7.00	TC	TC-012002500070
	25.00	7.00	VC	VC-012002500070
	25.00	7.00	KC	KC-012002500070
	25.00	7.00	SBC	SBC-012002500070
	25.00	7.00	TBC	TBC-012002500070
	25.00	7.00	VBC	VBC-012002500070
	25.00	7.00	KBC	KBC-012002500070
	25.50	7.00	TC	TC-012002550070
	26.00	7.00	SB2	SB2-012002600070
	26.00	7.00	SC	SC-012002600070
	26.00	7.00	TC	TC-012002600070
	26.00	8.00	SC	SC-012002600080
	27.00	7.00	TB2	TB2-012002700070
	28.00	7.00	SB2	SB2-012002800070
	28.00	7.00	SC	SC-012002800070

Shaft Dia.	Bore Dia.	Seal Width	Seal Design	Seal Number
12.00	28.00	7.00	TC	TC-012002800070
	30.00	6.00	SC	SC-012003000060
	30.00	6.00	TC	TC-012003000060
	30.00	7.00	SA2	SA2-012003000070
	30.00	7.00	TA2	TA2-012003000070
	30.00	7.00	VA2	VA2-012003000070
	30.00	7.00	KA2	KA2-012003000070
	30.00	7.00	SB2	SB2-012003000070
	30.00	7.00	TB2	TB2-012003000070
	30.00	7.00	VB2	VB2-012003000070
	30.00	7.00	KB2	KB2-012003000070
	30.00	7.00	SC	SC-012003000070
	30.00	7.00	TC	TC-012003000070
	30.00	7.00	VC	VC-012003000070
	30.00	7.00	KC	KC-012003000070
	30.00	7.00	SBC	SBC-012003000070
	30.00	7.00	TBC	TBC-012003000070
	30.00	7.00	VBC	VBC-012003000070
	30.00	7.00	KBC	KBC-012003000070
	30.00	10.00	SC	SC-012003000100
	32.00	7.00	SB2	SB2-012003200070
	32.00	7.00	SC	SC-012003200070
	32.00	7.00	TC	TC-012003200070
	32.00	10.00	TC	TC-012003200100
	35.00	7.00	SB2	SB2-012003500070
	35.00	7.00	TC	TC-012003500070
	35.00	8.00	TC	TC-012003500080
12.50	22.00	6.00	SC	SC-012502200060
	23.50	7.00	TC	TC-012502350070
	25.00	8.00	TC	TC-012502500080
13.00	18.00	3.00	VC	VC-013001800030
	19.00	3.00	VC	VC-013001900030
	20.00	4.00	TC	TC-013002000040
	22.00	4.00	SC	SC-013002200040
	22.00	4.00	VC	VC-013002200040
	22.00	5.00	SB2	SB2-013002200050
	22.00	5.00	SC	SC-013002200050
	22.00	5.00	TC	TC-013002200050
	22.00	7.00	TC	TC-013002200070
	25.00	7.00	TC	TC-013002500070
	26.00	5.00	SC	SC-013002600050
	26.00	7.00	SC	SC-013002600070
	26.00	7.00	TC	TC-013002600070
	26.00	9.00	TC	TC-013002600090
	28.00	7.00	SB2	SB2-013002800070
	28.00	7.00	SC	SC-013002800070
	30.00	7.00	TC	TC-013003000070
	30.00	8.00	SC	SC-013003000080
13.70	24.00	5.00	SC	SC-013702400050
	24.00	5.00	TC	TC-013702400050
14.00	20.00	3.00	WPC	WPC-014002000030
	20.00	3.00	KC	KC-014002000030
	20.00	4.00	SC	SC-014002000040
	22.00	3.00	WPC	WPC-014002200030
	22.00	4.00	SC	SC-014002200040
	22.00	5.00	TC	TC-014002200050
	22.00	6.00	SC	SC-014002200060
	22.00	7.00	VC	VC-014002200070
	24.00	5.00	SC	SC-014002400050
	24.00	6.00	SC	SC-014002400060
	24.00	6.00	TC	TC-014002400060
	24.00	6.00	KC	KC-014002400060

Metric Size List

Shaft Dia.	Bore Dia.	Seal Width	Seal Design	Seal Number
14.00	24.00	7.00	SC	SC-014002400070
	24.00	7.00	TC	TC-014002400070
	24.00	8.00	TC	TC-014002400080
	25.00	5.00	SC	SC-014002500050
	25.00	5.00	TC	TC-014002500050
	25.00	6.00	TC	TC-014002500060
	25.00	7.00	TC	TC-014002500070
	25.00	9.00	TC	TC-014002500090
	26.00	7.00	SB2	SB2-014002600070
	26.00	7.00	SC	SC-014002600070
	26.00	7.00	TC	TC-014002600070
	26.00	9.00	DC	DC-014002600090
	27.00	6.50	SB2	SB2-014002700065
	27.00	7.00	TC	TC-014002700070
	28.00	6.00	SC	SC-014002800060
	28.00	7.00	SB2	SB2-014002800070
	28.00	7.00	SC	SC-014002800070
	28.00	7.00	TC	TC-014002800070
	30.00	7.00	SB2	SB2-014003000070
	30.00	7.00	SC	SC-014003000070
	30.00	7.00	TC	TC-014003000070
	30.00	8.00	TC	TC-014003000080
	32.00	7.00	SB2	SB2-014003200070
	35.00	7.00	SB2	SB2-014003500070
	35.00	7.00	SC	SC-014003500070
	35.00	7.00	TC	TC-014003500070
14.50	24.00	5.00	TC	TC-014502400050
15.00	20.00	4.00	VC	VC-015002000040
	21.00	3.00	VC	VC-015002100030
	21.00	3.00	WPC	WPC-015002100030
	21.00	4.00	SC	SC-015002100040
	22.00	7.00	TC	TC-015002200070
	23.00	3.00	WPC	WPC-015002300030
	23.00	5.00	SC	SC-015002300050
	24.00	5.00	SC	SC-015002400050
	24.00	5.00	TC	TC-015002400050
	24.00	7.00	SB2	SB2-015002400070
	24.00	7.00	SC	SC-015002400070
	24.00	7.00	TC	TC-015002400070
	25.00	5.00	SC	SC-015002500050
	25.00	6.00	SC	SC-015002500060
	25.00	6.00	TC	TC-015002500060
	25.00	6.00	VC	VC-015002500060
	25.00	7.00	SB2	SB2-015002500070
	25.00	7.00	TC	TC-015002500070
	25.50	4.60	SC	SC-015002550046
	26.00	4.00	SC	SC-015002600040
	26.00	5.00	TC	TC-015002600050
	26.00	6.00	SC	SC-015002600060
	26.00	6.00	TC	TC-015002600060
	26.00	6.00	KC	KC-015002600060
	26.00	7.00	SA2	SA2-015002600070
	26.00	7.00	TA2	TA2-015002600070
	26.00	7.00	VA2	VA2-015002600070
	26.00	7.00	KA2	KA2-015002600070
	26.00	7.00	SB2	SB2-015002600070
	26.00	7.00	TB2	TB2-015002600070
	26.00	7.00	VB2	VB2-015002600070
	26.00	7.00	KB2	KB2-015002600070
	26.00	7.00	SC	SC-015002600070
	26.00	7.00	TC	TC-015002600070
	26.00	7.00	VC	VC-015002600070

Shaft Dia.	Bore Dia.	Seal Width	Seal Design	Seal Number
15.00	26.00	7.00	KC	KC-015002600070
	26.00	7.00	SBC	SBC-015002600070
	26.00	7.00	TBC	TBC-015002600070
	26.00	7.00	VBC	VBC-015002600070
	26.00	7.00	KBC	KBC-015002600070
	27.00	7.00	SC	SC-015002700070
	28.00	5.00	SC	SC-015002800050
	28.00	7.00	SB2	SB2-015002800070
	28.00	7.00	SC	SC-015002800070
	28.00	7.00	TC	TC-015002800070
	28.60	7.00	TC	TC-015002860070
	30.00	7.00	SA2	SA2-015003000070
	30.00	7.00	TA2	TA2-015003000070
	30.00	7.00	VA2	VA2-015003000070
	30.00	7.00	KA2	KA2-015003000070
	30.00	7.00	SB2	SB2-015003000070
	30.00	7.00	TB2	TB2-015003000070
	30.00	7.00	VB2	VB2-015003000070
	30.00	7.00	KB2	KB2-015003000070
	30.00	7.00	SC	SC-015003000070
	30.00	7.00	TC	TC-015003000070
	30.00	7.00	VC	VC-015003000070
	30.00	7.00	KC	KC-015003000070
	30.00	7.00	SBC	SBC-015003000070
	30.00	7.00	TBC	TBC-015003000070
	30.00	7.00	VBC	VBC-015003000070
	30.00	7.00	KBC	KBC-015003000070
	30.00	10.00	SC	SC-015003000100
	32.00	6.00	SC	SC-015003200060
	32.00	7.00	SB2	SB2-015003200070
	32.00	7.00	SC	SC-015003200070
	32.00	7.00	TC	TC-015003200070
	32.00	7.50	TC	TC-015003200075
	32.00	8.00	SC	SC-015003200080
	32.00	9.00	SC	SC-015003200090
	34.00	7.00	TC	TC-015003400070
	35.00	7.00	SA2	SA2-015003500070
	35.00	7.00	TA2	TA2-015003500070
	35.00	7.00	VA2	VA2-015003500070
	35.00	7.00	KA2	KA2-015003500070
	35.00	7.00	SB2	SB2-015003500070
	35.00	7.00	TB2	TB2-015003500070
	35.00	7.00	VB2	VB2-015003500070
	35.00	7.00	KB2	KB2-015003500070
	35.00	7.00	SC	SC-015003500070
	35.00	7.00	TC	TC-015003500070
	35.00	7.00	VC	VC-015003500070
	35.00	7.00	KC	KC-015003500070
	35.00	7.00	SBC	SBC-015003500070
	35.00	7.00	TBC	TBC-015003500070
	35.00	7.00	VBC	VBC-015003500070
	35.00	7.00	KBC	KBC-015003500070
	35.00	8.00	SC	SC-015003500080
	35.00	10.00	SC	SC-015003500100
	35.50	5.50	TC	TC-015003550055
	40.00	7.00	SB2	SB2-015004000070
	40.00	8.00	TC	TC-015004000080
	40.00	10.00	SC	SC-015004000100
	42.00	8.00	TC	TC-015004200080
	42.00	10.00	SC	SC-015004200100
15.60	25.50	7.00	TC	TC-015602550070
16.00	22.00	3.00	VC	VC-016002200030

METRIC SIZE LIST



Metric Size List

Shaft Dia.	Bore Dia.	Seal Width	Seal Design	Seal Number	
16.00	22.00	3.00	WPC	WPC-016002200030	
	22.00	4.00	SC	SC-016002200040	
	24.00	4.00	VC	VC-016002400040	
	24.00	5.00	SC	SC-016002400050	
	24.00	6.00	TC	TC-016002400060	
	24.00	7.00	SC	SC-016002400070	
	24.00	7.00	TC	TC-016002400070	
	26.00	6.00	TC	TC-016002600060	
	26.00	7.00	SC	SC-016002600070	
	26.00	7.00	TC	TC-016002600070	
	27.00	6.00	SC	SC-016002700060	
	27.00	7.00	TC	TC-016002700070	
	28.00	4.00	KC	KC-016002800040	
	28.00	6.00	SC	SC-016002800060	
	28.00	7.00	SB2	SB2-016002800070	
	28.00	7.00	SC	SC-016002800070	
	28.00	7.00	TC	TC-016002800070	
	30.00	4.50	SC	SC-016003000045	
	30.00	5.00	SC	SC-016003000050	
	30.00	5.00	TC	TC-016003000050	
	30.00	7.00	SA2	SA2-016003000070	
	30.00	7.00	TA2	TA2-016003000070	
	30.00	7.00	VA2	VA2-016003000070	
	30.00	7.00	KA2	KA2-016003000070	
	30.00	7.00	SB2	SB2-016003000070	
	30.00	7.00	TB2	TB2-016003000070	
	30.00	7.00	VB2	VB2-016003000070	
	30.00	7.00	KB2	KB2-016003000070	
	30.00	7.00	SC	SC-016003000070	
	30.00	7.00	TC	TC-016003000070	
	30.00	7.00	VC	VC-016003000070	
	30.00	7.00	KC	KC-016003000070	
	30.00	7.00	SBC	SBC-016003000070	
	30.00	7.00	TBC	TBC-016003000070	
	30.00	7.00	VBC	VBC-016003000070	
	30.00	7.00	KBC	KBC-016003000070	
	30.00	8.00	TC	TC-016003000080	
	30.00	8.00	KC	KC-016003000080	
	30.00	10.00	TC	TC-016003000100	
	32.00	7.00	SB2	SB2-016003200070	
	32.00	7.00	SC	SC-016003200070	
	32.00	7.00	TC	TC-016003200070	
	32.00	8.00	TC	TC-016003200080	
	34.00	7.00	TC	TC-016003400070	
	35.00	7.00	SB2	SB2-016003500070	
	35.00	7.00	SC	SC-016003500070	
	35.00	7.00	TC	TC-016003500070	
	35.00	10.00	SC	SC-016003500100	
	38.00	7.00	TC	TC-016003800070	
	40.00	7.00	SB2	SB2-016004000070	
	40.00	7.00	TB2	TB2-016004000070	
	16.90	28.00	5.00	SC	SC-016902800050
	17.00	23.00	3.00	WPC	WPC-017002300030
		24.00	4.00	KC	KC-017002400040
		25.00	4.00	SC	SC-017002500040
		25.00	4.00	TC	TC-017002500040
		25.00	7.00	TC	TC-017002500070
26.00		6.00	SC	SC-017002600060	
26.00		6.00	TC	TC-017002600060	
26.00		7.00	TC	TC-017002600070	
27.00		5.00	TC	TC-017002700050	
27.00		6.00	TC	TC-017002700060	

Shaft Dia.	Bore Dia.	Seal Width	Seal Design	Seal Number
17.00	27.00	6.35	SB2	SB2-017002700063
	27.00	7.00	TC	TC-017002700070
	27.00	8.00	TC	TC-017002700080
	28.00	5.50	SC	SC-017002800055
	28.00	6.00	SC	SC-017002800060
	28.00	6.00	TC	TC-017002800060
	28.00	7.00	SB2	SB2-017002800070
	28.00	7.00	TB2	TB2-017002800070
	28.00	7.00	SB	SB-017002800070
	28.00	7.00	SC	SC-017002800070
	28.00	7.00	TC	TC-017002800070
	28.00	8.00	TC	TC-017002800080
	28.50	6.00	SC	SC-017002850060
	29.00	5.00	SC	SC-017002900050
	29.00	6.00	TC	TC-017002900060
	30.00	5.00	SC	SC-017003000050
	30.00	5.00	TC	TC-017003000050
	30.00	6.00	SC	SC-017003000060
	30.00	7.00	SB2	SB2-017003000070
	30.00	7.00	SC	SC-017003000070
	30.00	7.00	TC	TC-017003000070
	30.00	8.00	SC	SC-017003000080
	31.00	7.00	TC	TC-017003100070
	32.00	7.00	SB2	SB2-017003200070
	32.00	7.00	TB2	TB2-017003200070
	32.00	7.00	SC	SC-017003200070
	32.00	7.00	TC	TC-017003200070
	32.00	8.00	TC	TC-017003200080
	32.00	10.00	SC	SC-017003200100
	32.50	7.00	TC	TC-017003250070
	33.00	7.00	TC	TC-017003300070
	34.00	7.00	TC	TC-017003400070
	35.00	5.00	SC	SC-017003500050
	35.00	6.00	SC	SC-017003500060
	35.00	7.00	SB2	SB2-017003500070
	35.00	7.00	SC	SC-017003500070
	35.00	7.00	TC	TC-017003500070
	35.00	8.00	SC	SC-017003500080
	35.00	8.00	TC	TC-017003500080
	35.00	8.00	TC	TC-017003500080
	35.00	8.00	DC	DC-017003500080
	35.00	10.00	SC	SC-017003500100
37.00	5.00	TC	TC-017003700050	
37.00	7.00	TB2	TB2-017003700070	
37.00	7.00	TC	TC-017003700070	
40.00	6.00	SC	SC-017004000060	
40.00	7.00	SB2	SB2-017004000070	
40.00	7.00	SC	SC-017004000070	
40.00	7.00	TC	TC-017004000070	
40.00	8.00	SC	SC-017004000080	
40.00	8.50	SC	SC-017004000085	
40.00	10.00	SC	SC-017004000100	
40.00	10.00	TC	TC-017004000100	
47.00	7.00	SB2	SB2-017004700070	
47.00	7.00	SC	SC-017004700070	
47.00	10.00	SC	SC-017004700100	
18.00	24.00	3.00	WPC	WPC-018002400030
	24.00	4.00	VC	VC-018002400040
	26.00	4.00	KB2	KB2-018002600040
	26.00	4.00	VC	VC-018002600040
	26.00	4.00	KC	KC-018002600040
	27.00	5.00	SC	SC-018002700050
	27.00	7.00	TC	TC-018002700070

Metric Size List

Shaft Dia.	Bore Dia.	Seal Width	Seal Design	Seal Number
18.00	28.00	6.00	SC	SC-018002800060
	28.00	6.00	TC	TC-018002800060
	28.00	7.00	SC	SC-018002800070
	28.00	7.00	TC	TC-018002800070
	28.00	8.00	SC	SC-018002800080
	29.00	7.00	TC	TC-018002900070
	30.00	4.50	SC	SC-018003000045
	30.00	7.00	SA2	SA2-018003000070
	30.00	7.00	TA2	TA2-018003000070
	30.00	7.00	VA2	VA2-018003000070
	30.00	7.00	KA2	KA2-018003000070
	30.00	7.00	SB2	SB2-018003000070
	30.00	7.00	TB2	TB2-018003000070
	30.00	7.00	VB2	VB2-018003000070
	30.00	7.00	KB2	KB2-018003000070
	30.00	7.00	SC	SC-018003000070
	30.00	7.00	TC	TC-018003000070
	30.00	7.00	VC	VC-018003000070
	30.00	7.00	KC	KC-018003000070
	30.00	7.00	SBC	SBC-018003000070
	30.00	7.00	TBC	TBC-018003000070
	30.00	7.00	VBC	VBC-018003000070
	30.00	7.00	KBC	KBC-018003000070
	30.00	8.00	TC	TC-018003000080
	32.00	7.00	SB2	SB2-018003200070
	32.00	7.00	SC	SC-018003200070
	32.00	7.00	TC	TC-018003200070
	32.00	8.00	SC	SC-018003200080
	32.00	10.00	TC	TC-018003200100
	33.00	7.00	TC	TC-018003300070
	34.00	7.00	TC	TC-018003400070
	35.00	7.00	SA2	SA2-018003500070
	35.00	7.00	TA2	TA2-018003500070
	35.00	7.00	VA2	VA2-018003500070
	35.00	7.00	KA2	KA2-018003500070
	35.00	7.00	SB2	SB2-018003500070
	35.00	7.00	TB2	TB2-018003500070
	35.00	7.00	VB2	VB2-018003500070
	35.00	7.00	KB2	KB2-018003500070
	35.00	7.00	SC	SC-018003500070
	35.00	7.00	TC	TC-018003500070
	35.00	7.00	VC	VC-018003500070
	35.00	7.00	KC	KC-018003500070
	35.00	7.00	SBC	SBC-018003500070
	35.00	7.00	TBC	TBC-018003500070
	35.00	7.00	VBC	VBC-018003500070
	35.00	7.00	KBC	KBC-018003500070
	35.00	8.00	SC	SC-018003500080
	35.00	8.00	TC	TC-018003500080
	35.00	10.00	SC	SC-018003500100
36.00	7.00	TC	TC-018003600070	
37.00	5.00	VC	VC-018003700050	
37.00	8.00	TC	TC-018003700080	
38.00	5.00	SC	SC-018003800050	
38.00	7.00	TC	TC-018003800070	
40.00	7.00	SB2	SB2-018004000070	
40.00	7.00	SC	SC-018004000070	
18.90	28.00	5.00	TC	TC-018902800050
	30.00	5.00	TC	TC-018903000050
19.00	26.00	5.00	VC	VC-019002600050
	27.00	4.00	WPC	WPC-019002700040
	27.00	5.00	TC	TC-019002700050

Shaft Dia.	Bore Dia.	Seal Width	Seal Design	Seal Number	
19.00	27.00	6.00	SC	SC-019002700060	
	27.00	7.00	TC	TC-019002700070	
	28.00	5.00	SC	SC-019002800050	
	30.00	7.00	SC	SC-019003000070	
	30.00	7.00	TC	TC-019003000070	
	30.00	8.00	SC	SC-019003000080	
	32.00	6.35	SB2	SB2-019003200063	
	32.00	7.00	SC	SC-019003200070	
	32.00	7.00	TC	TC-019003200070	
	32.00	8.00	TC	TC-019003200080	
	33.00	7.00	TC	TC-019003300070	
	35.00	7.00	SB2	SB2-019003500070	
	35.00	7.00	TC	TC-019003500070	
	35.00	8.00	SC	SC-019003500080	
	35.00	8.00	TC	TC-019003500080	
	35.00	10.00	SC	SC-019003500100	
	35.00	11.00	TC	TC-019003500110	
	37.00	10.00	SB2	SB2-019003700100	
	38.00	7.00	SB2	SB2-019003800070	
	38.00	8.00	TC	TC-019003800080	
	40.00	6.35	SB2	SB2-019004000063	
	40.00	10.00	SC	SC-019004000100	
	42.00	7.00	TC	TC-019004200070	
	52.00	7.00	TB2	TB2-019005200070	
	19.50	30.50	5.00	TC	TC-019503050050
		50.00	5.00	SC	SC-019505000050
	19.80	33.85	9.00	SC	SC-019803380090
	20.00	25.50	7.00	KB	KB-020002550070
		26.00	4.00	WPC	WPC-020002600040
		26.00	4.00	TC	TC-020002600040
26.00		5.00	VC	VC-020002600050	
27.00		5.00	TC	TC-020002700050	
27.00		6.00	TC	TC-020002700060	
28.00		4.00	WPC	WPC-020002800040	
28.00		5.00	SC	SC-020002800050	
28.00		6.00	SC	SC-020002800060	
28.00		7.00	SC	SC-020002800070	
30.00		4.50	SC	SC-020003000045	
30.00		4.50	TC	TC-020003000045	
30.00		4.00	VC	VC-020003000040	
30.00		5.00	SB2	SB2-020003000050	
30.00		5.00	SC	SC-020003000050	
30.00		5.00	TC	TC-020003000050	
30.00		6.00	TB	TB-020003000060	
30.00		6.00	TC	TC-020003000060	
30.00		7.00	SB2	SB2-020003000070	
30.00		7.00	TB	TB-020003000070	
30.00		7.00	SC	SC-020003000070	
30.00		7.00	TC	TC-020003000070	
31.00		7.00	SB2	SB2-020003100070	
31.00		7.00	TB2	TB2-020003100070	
31.00		7.00	TC	TC-020003100070	
32.00		5.00	SC	SC-020003200050	
32.00		6.00	SC	SC-020003200060	
32.00		6.00	TC	TC-020003200060	
32.00		7.00	SB2	SB2-020003200070	
32.00		7.00	SC	SC-020003200070	
32.00	7.00	TC	TC-020003200070		
32.00	8.00	SC	SC-020003200080		
32.00	8.00	TC	TC-020003200080		
34.00	5.00	TC	TC-020003400050		
34.00	7.00	SC	SC-020003400070		

METRIC SIZE LIST



Metric Size List

Shaft Dia.	Bore Dia.	Seal Width	Seal Design	Seal Number
20.00	34.00	7.00	TC	TC-020003400070
	35.00	5.00	SC	SC-020003500050
	35.00	5.00	TC	TC-020003500050
	35.00	6.00	SC	SC-020003500060
	35.00	6.00	TC	TC-020003500060
	35.00	7.00	SA2	SA2-020003500070
	35.00	7.00	TA2	TA2-020003500070
	35.00	7.00	VA2	VA2-020003500070
	35.00	7.00	KA2	KA2-020003500070
	35.00	7.00	SB2	SB2-020003500070
	35.00	7.00	TB2	TB2-020003500070
	35.00	7.00	VB2	VB2-020003500070
	35.00	7.00	KB2	KB2-020003500070
	35.00	7.00	SC	SC-020003500070
	35.00	7.00	TC	TC-020003500070
	35.00	7.00	VC	VC-020003500070
	35.00	7.00	KC	KC-020003500070
	35.00	7.00	DC	DC-020003500070
	35.00	7.00	SBC	SBC-020003500070
	35.00	7.00	TBC	TBC-020003500070
	35.00	7.00	VBC	VBC-020003500070
	35.00	7.00	KBC	KBC-020003500070
	35.00	8.00	TB2	TB2-020003500080
	35.00	8.00	TC	TC-020003500080
	35.00	8.00	DC	DC-020003500080
	35.00	10.00	SC	SC-020003500100
	35.00	10.00	TC	TC-020003500100
	35.00	12.70	TA2	TA2-020003500127
	36.00	7.00	SB2	SB2-020003600070
	36.00	7.00	SC	SC-020003600070
	36.00	7.00	TC	TC-020003600070
	37.00	7.00	SB2	SB2-020003700070
	37.00	7.00	TC	TC-020003700070
	37.00	8.00	TC	TC-020003700080
	37.00	10.00	TC	TC-020003700100
	38.00	5.00	TC	TC-020003800050
	38.00	7.00	SB2	SB2-020003800070
	38.00	7.00	SC	SC-020003800070
	38.00	7.00	TC	TC-020003800070
	38.00	8.00	SC	SC-020003800080
	40.00	6.00	SC	SC-020004000060
	40.00	6.00	TC	TC-020004000060
	40.00	7.00	SA2	SA2-020004000070
	40.00	7.00	TA2	TA2-020004000070
	40.00	7.00	VA2	VA2-020004000070
	40.00	7.00	KA2	KA2-020004000070
	40.00	7.00	SB2	SB2-020004000070
	40.00	7.00	TB2	TB2-020004000070
	40.00	7.00	VB2	VB2-020004000070
	40.00	7.00	KB2	KB2-020004000070
	40.00	7.00	SC	SC-020004000070
	40.00	7.00	TC	TC-020004000070
	40.00	7.00	VC	VC-020004000070
	40.00	7.00	KC	KC-020004000070
	40.00	7.00	DC	DC-020004000070
	40.00	7.00	SBC	SBC-020004000070
	40.00	7.00	TBC	TBC-020004000070
	40.00	7.00	VBC	VBC-020004000070
	40.00	7.00	KBC	KBC-020004000070
	40.00	8.00	TC	TC-020004000080
	40.00	10.00	SC	SC-020004000100
	40.00	10.00	TC	TC-020004000100

Shaft Dia.	Bore Dia.	Seal Width	Seal Design	Seal Number
20.00	41.00	7.00	TC	TC-020004100070
	42.00	6.00	TC	TC-020004200060
	42.00	7.00	SB2	SB2-020004200070
	42.00	7.00	SC	SC-020004200070
	42.00	7.00	TC	TC-020004200070
	42.00	8.00	TC	TC-020004200080
	42.00	10.00	SC	SC-020004200100
	42.00	10.00	TC	TC-020004200100
	43.00	8.00	TC	TC-020004300080
	44.00	8.00	TC	TC-020004400080
	45.00	8.00	TC	TC-020004500080
	45.00	12.00	SC	SC-020004500120
	47.00	6.00	TC	TC-020004700060
	47.00	7.00	SB2	SB2-020004700070
	47.00	7.00	SC	SC-020004700070
	47.00	7.00	TC	TC-020004700070
	47.00	8.00	SC	SC-020004700080
	47.00	8.00	TC	TC-020004700080
	47.00	8.50	TC	TC-020004700085
	47.00	9.00	TC	TC-020004700090
	47.00	10.00	SC	SC-020004700100
	47.00	10.00	TC	TC-020004700100
	48.00	8.00	TC	TC-020004800080
	48.00	9.00	TC	TC-020004800090
	50.00	7.00	TB2	TB2-020005000070
	50.00	10.00	TC	TC-020005000100
	52.00	7.00	SB2	SB2-020005200070
	52.00	7.00	SC	SC-020005200070
	52.00	8.00	TC	TC-020005200080
	52.00	9.00	TC	TC-020005200090
	52.00	10.00	SC	SC-020005200100
	62.00	6.50	SC	SC-020006200065
21.00	28.00	4.00	SC	SC-021002800040
	28.00	4.00	KC	KC-021002800040
	32.00	5.00	SC	SC-021003200050
	35.00	6.00	TC	TC-021003500060
	35.00	7.00	SB2	SB2-021003500070
	35.00	7.00	SC	SC-021003500070
	35.00	7.00	TC	TC-021003500070
	36.00	7.00	SC	SC-021003600070
	36.00	7.00	TC	TC-021003600070
	38.00	8.00	TB2	TB2-021003800080
	40.00	6.00	TC	TC-021004000060
	40.00	7.00	TC	TC-021004000070
	40.00	8.00	SB2	SB2-021004000080
22.00	28.00	4.00	TC	TC-022002800040
	28.00	4.00	V11	V11-022002800040
	28.00	5.00	WPB	WPB-022002800050
	29.00	4.00	KC	KC-022002900040
	30.00	4.00	KC	KC-022003000040
	30.00	4.00	WPC	WPC-022003000040
	30.00	7.00	TC	TC-022003000070
	31.00	5.00	SC	SC-022003100050
	32.00	5.00	SC	SC-022003200050
	32.00	5.00	TC	TC-022003200050
	32.00	5.50	SC	SC-022003200055
	32.00	6.00	SC	SC-022003200060
	32.00	6.00	TC	TC-022003200060
	32.00	7.00	SC	SC-022003200070
	32.00	7.00	TC	TC-022003200070
	33.00	7.00	SC	SC-022003300070

Metric Size List

Shaft Dia.	Bore Dia.	Seal Width	Seal Design	Seal Number
22.00	33.00	7.00	TC	TC-022003300070
	34.00	7.00	TC	TC-022003400070
	35.00	5.00	VB2	VB2-022003500050
	35.00	5.00	VC	VC-022003500050
	35.00	6.00	SC	SC-022003500060
	35.00	7.00	SA2	SA2-022003500070
	35.00	7.00	TA2	TA2-022003500070
	35.00	7.00	VA2	VA2-022003500070
	35.00	7.00	KA2	KA2-022003500070
	35.00	7.00	SB2	SB2-022003500070
	35.00	7.00	TB2	TB2-022003500070
	35.00	7.00	VB2	VB2-022003500070
	35.00	7.00	KB2	KB2-022003500070
	35.00	7.00	SC	SC-022003500070
	35.00	7.00	TC	TC-022003500070
	35.00	7.00	VC	VC-022003500070
	35.00	7.00	KC	KC-022003500070
	35.00	7.00	SBC	SBC-022003500070
	35.00	7.00	TBC	TBC-022003500070
	35.00	7.00	VBC	VBC-022003500070
	35.00	7.00	KBC	KBC-022003500070
	35.00	8.00	TC	TC-022003500080
	35.00	10.00	SC	SC-022003500100
	36.00	6.00	SC	SC-022003600060
	36.00	7.00	SC	SC-022003600070
	36.00	7.00	TC	TC-022003600070
	38.00	7.00	SB2	SB2-022003800070
	38.00	7.00	SC	SC-022003800070
	38.00	7.00	TC	TC-022003800070
	38.00	8.00	TC	TC-022003800080
	40.00	6.35	SB2	SB2-022004000063
	40.00	7.00	SA2	SA2-022004000070
	40.00	7.00	TA2	TA2-022004000070
	40.00	7.00	VA2	VA2-022004000070
	40.00	7.00	KA2	KA2-022004000070
	40.00	7.00	SB2	SB2-022004000070
	40.00	7.00	TB2	TB2-022004000070
	40.00	7.00	VB2	VB2-022004000070
	40.00	7.00	KB2	KB2-022004000070
	40.00	7.00	SC	SC-022004000070
	40.00	7.00	TC	TC-022004000070
	40.00	7.00	VC	VC-022004000070
	40.00	7.00	KC	KC-022004000070
	40.00	7.00	SBC	SBC-022004000070
	40.00	7.00	TBC	TBC-022004000070
	40.00	7.00	VBC	VBC-022004000070
	40.00	7.00	KBC	KBC-022004000070
	40.00	8.00	SC	SC-022004000080
	40.00	8.00	TC	TC-022004000080
	40.00	9.00	TC	TC-022004000090
	40.00	10.00	SC	SC-022004000100
	40.00	12.00	TC	TC-022004000120
	41.00	7.00	TC	TC-022004100070
	41.50	7.00	TC	TC-022004150070
	42.00	7.00	SB2	SB2-022004200070
	42.00	7.00	TC	TC-022004200070
	42.00	10.00	SC	SC-022004200100
	42.00	10.00	TC	TC-022004200100
	42.00	11.00	SC	SC-022004200110
	45.00	7.00	SC	SC-022004500070
	45.00	8.00	SB2	SB2-022004500080
	45.00	8.00	TC	TC-022004500080

Shaft Dia.	Bore Dia.	Seal Width	Seal Design	Seal Number
22.00	47.00	7.00	SA2	SA2-022004700070
	47.00	7.00	TA2	TA2-022004700070
	47.00	7.00	VA2	VA2-022004700070
	47.00	7.00	KA2	KA2-022004700070
	47.00	7.00	SB2	SB2-022004700070
	47.00	7.00	TB2	TB2-022004700070
	47.00	7.00	VB2	VB2-022004700070
	47.00	7.00	KB2	KB2-022004700070
	47.00	7.00	SC	SC-022004700070
	47.00	7.00	TC	TC-022004700070
	47.00	7.00	VC	VC-022004700070
	47.00	7.00	KC	KC-022004700070
	47.00	7.00	SBC	SBC-022004700070
	47.00	7.00	TBC	TBC-022004700070
	47.00	7.00	VBC	VBC-022004700070
	47.00	7.00	KBC	KBC-022004700070
	47.00	8.00	SB2	SB2-022004700080
	47.00	8.00	TC	TC-022004700080
	50.00	8.00	SB2	SB2-022005000080
22.50	33.60	6.00	TC	TC-022503360060
23.00	28.00	4.00	VC	VC-023002800040
	30.00	4.00	VC	VC-023003000040
	32.00	5.50	V11	V11-023003200055
	35.00	7.00	TC	TC-023003500070
	38.00	7.00	TC	TC-023003800070
	40.00	7.00	TC	TC-023004000070
	40.00	8.00	SC	SC-023004000080
	40.00	10.00	SC	SC-023004000100
	42.00	7.00	KC	KC-023004200070
	42.00	11.00	SC	SC-023004200110
	42.00	11.00	TC	TC-023004200110
	47.00	7.00	TC	TC-023004700070
	30.00	7.00	VC	VC-024003000070
	31.00	3.50	VC	VC-024003100035
	32.00	4.00	WPC	WPC-024003200040
	34.00	5.50	SC	SC-024003400055
24.00	34.00	7.00	TC	TC-024003400070
	35.00	6.00	TC	TC-024003500060
	35.00	7.00	SC	SC-024003500070
	35.00	7.00	TC	TC-024003500070
	35.00	8.00	TC	TC-024003500080
	36.00	7.00	SB2	SB2-024003600070
	36.00	7.00	TC	TC-024003600070
	36.00	8.00	TC	TC-024003600080
	36.00	10.00	TC	TC-024003600100
	37.00	5.00	TC	TC-024003700050
	37.00	7.00	SC	SC-024003700070
	37.00	7.00	TC	TC-024003700070
	38.00	5.00	TC	TC-024003800050
	38.00	7.00	SB2	SB2-024003800070
	38.00	7.00	TC	TC-024003800070
	38.00	8.00	SC	SC-024003800080
	38.00	10.00	SB2	SB2-024003800100
	38.00	10.00	SC	SC-024003800100
	38.00	10.00	TC	TC-024003800100
	40.00	7.00	SC	SC-024004000070
	40.00	7.00	TC	TC-024004000070
	40.00	8.00	TC	TC-024004000080
	42.00	8.00	SC	SC-024004200080
	42.00	8.00	TC	TC-024004200080
	42.00	10.00	SC	SC-024004200100

METRIC SIZE LIST



Metric Size List

Shaft Dia.	Bore Dia.	Seal Width	Seal Design	Seal Number	Shaft Dia.	Bore Dia.	Seal Width	Seal Design	Seal Number	
24.00	43.00	6.00	TC	TC-024004300060	25.00	42.00	8.00	TC	TC-025004200080	
	46.00	6.00	TC	TC-024004600060		42.00	10.00	SC	SC-025004200100	
	47.00	7.00	SC	SC-024004700070		42.00	10.00	TC	TC-025004200100	
	47.00	7.00	TC	TC-024004700070		42.00	12.00	TC	TC-025004200120	
	47.00	10.00	SC	SC-024004700100		42.90	9.50	SC	SC-025004290095	
	47.00	10.00	TC	TC-024004700100		43.00	7.00	TC	TC-025004300070	
	50.00	9.00	TC	TC-024005000090		44.00	7.00	TC	TC-025004400070	
	24.90	45.00	6.50	SC		SC-024904500065	44.00	8.00	TC	TC-025004400080
	25.00	32.00	4.00	VB		VB-025003200040	45.00	6.00	TC	TC-025004500060
		32.00	4.00	TC		TC-025003200040	45.00	7.00	SB2	SB2-025004500070
32.00		4.00	VC	VC-025003200040	45.00	7.00	SC	SC-025004500070		
32.00		4.00	KC	KC-025003200040	45.00	7.00	TC	TC-025004500070		
32.00		7.00	TC	TC-025003200070	45.00	8.00	SC	SC-025004500080		
35.00		5.00	SC	SC-025003500050	45.00	8.00	TC	TC-025004500080		
35.00		6.00	TC	TC-025003500060	45.00	10.00	SC	SC-025004500100		
35.00		7.00	SC	SC-025003500070	45.00	10.00	TC	TC-025004500100		
35.00		7.00	TC	TC-025003500070	45.00	11.00	SC	SC-025004500110		
35.00		8.00	TC	TC-025003500080	45.00	11.00	TC	TC-025004500110		
36.00		6.00	TC	TC-025003600060	46.00	7.00	SC	SC-025004600070		
36.00		7.00	TC	TC-025003600070	46.00	7.00	TC	TC-025004600070		
36.00		8.00	TC	TC-025003600080	47.00	6.00	SC	SC-025004700060		
37.00		5.00	SC	SC-025003700050	47.00	6.35	SB2	SB2-025004700063		
37.00		6.00	SC	SC-025003700060	47.00	7.00	SA2	SA2-025004700070		
37.00		6.00	TC	TC-025003700060	47.00	7.00	TA2	TA2-025004700070		
37.00		6.00	KC	KC-025003700060	47.00	7.00	VA2	VA2-025004700070		
37.00		7.00	SC	SC-025003700070	47.00	7.00	KA2	KA2-025004700070		
37.00		7.00	TC	TC-025003700070	47.00	7.00	SB2	SB2-025004700070		
38.00		7.00	SC	SC-025003800070	47.00	7.00	TB2	TB2-025004700070		
38.00		7.00	TC	TC-025003800070	47.00	7.00	VB2	VB2-025004700070		
38.00		9.00	TC	TC-025003800090	47.00	7.00	KB2	KB2-025004700070		
38.00		10.00	TC	TC-025003800100	47.00	7.00	SC	SC-025004700070		
40.00		5.00	TC	TC-025004000050	47.00	7.00	TC	TC-025004700070		
40.00		6.00	TC	TC-025004000060	47.00	7.00	VC	VC-025004700070		
40.00		7.00	SA2	SA2-025004000070	47.00	7.00	KC	KC-025004700070		
40.00		7.00	TA2	TA2-025004000070	47.00	7.00	SBC	SBC-025004700070		
40.00		7.00	VA2	VA2-025004000070	47.00	7.00	TBC	TBC-025004700070		
40.00		7.00	KA2	KA2-025004000070	47.00	7.00	VBC	VBC-025004700070		
40.00		7.00	SB2	SB2-025004000070	47.00	7.00	KBC	KBC-025004700070		
40.00		7.00	TB2	TB2-025004000070	47.00	9.00	TC	TC-025004700090		
40.00		7.00	VB2	VB2-025004000070	47.00	10.00	TB2	TB2-025004700100		
40.00		7.00	KB2	KB2-025004000070	47.00	10.00	SC	SC-025004700100		
40.00		7.00	SC	SC-025004000070	47.00	10.00	TC	TC-025004700100		
40.00		7.00	TC	TC-025004000070	48.00	8.00	SB2	SB2-025004800080		
40.00		7.00	VC	VC-025004000070	48.00	8.00	TC	TC-025004800080		
40.00		7.00	KC	KC-025004000070	50.00	8.00	SB2	SB2-025005000080		
40.00		7.00	SBC	SBC-025004000070	50.00	8.00	TC	TC-025005000080		
40.00		7.00	TBC	TBC-025004000070	50.00	10.00	SC	SC-025005000100		
40.00		7.00	VBC	VBC-025004000070	50.00	10.00	TC	TC-025005000100		
40.00		7.00	KBC	KBC-025004000070	50.00	11.00	TC	TC-025005000110		
40.00		8.00	SC	SC-025004000080	50.00	12.00	SC	SC-025005000120		
40.00		8.00	TC	TC-025004000080	52.00	5.00	TC	TC-025005200050		
40.00		8.00	DC	DC-025004000080	52.00	7.00	SA2	SA2-025005200070		
40.00		9.00	TC	TC-025004000090	52.00	7.00	TA2	TA2-025005200070		
41.00		6.00	TC	TC-025004100060	52.00	7.00	VA2	VA2-025005200070		
41.00		7.00	SC	SC-025004100070	52.00	7.00	KA2	KA2-025005200070		
41.00		8.00	TC	TC-025004100080	52.00	7.00	SB2	SB2-025005200070		
41.55		10.00	TC	TC-025004150100	52.00	7.00	TB2	TB2-025005200070		
42.00		4.00	VB	VB-025004200040	52.00	7.00	VB2	VB2-025005200070		
42.00		6.00	SC	SC-025004200060	52.00	7.00	KB2	KB2-025005200070		
42.00		6.00	TC	TC-025004200060	52.00	7.00	SC	SC-025005200070		
42.00		7.00	SC	SC-025004200070	52.00	7.00	TC	TC-025005200070		
42.00		7.00	TC	TC-025004200070	52.00	7.00	VC	VC-025005200070		

Metric Size List

Shaft Dia.	Bore Dia.	Seal Width	Seal Design	Seal Number
25.00	52.00	7.00	KC	KC-025005200070
	52.00	7.00	SBC	SBC-025005200070
	52.00	7.00	TBC	TBC-025005200070
	52.00	7.00	VBC	VBC-025005200070
	52.00	7.00	KBC	KBC-025005200070
	52.00	8.00	SB2	SB2-025005200080
	52.00	8.00	SC	SC-025005200080
	52.00	8.00	TC	TC-025005200080
	52.00	9.50	TC	TC-025005200095
	52.00	10.00	SC	SC-025005200100
	52.00	10.00	TC	TC-025005200100
	52.00	10.00	VC	VC-025005200100
	52.00	11.50	TC	TC-025005200115
	53.00	6.00	SC	SC-025005300060
	55.00	7.00	SC	SC-025005500070
	55.00	7.00	TC	TC-025005500070
	55.00	8.00	TC	TC-025005500080
	62.00	6.00	DC	DC-025006200060
	62.00	7.00	SB2	SB2-025006200070
	62.00	7.00	TC	TC-025006200070
	62.00	8.00	SC	SC-025006200080
	62.00	8.00	DC	DC-025006200080
	62.00	10.00	SC	SC-025006200100
	62.00	10.00	TC	TC-025006200100
	72.00	7.00	SC	SC-025007200070
	76.30	7.70	KB2	KB2-025007630077
25.40	38.10	9.50	SC	SC-025403810095
26.00	32.00	4.00	KC	KC-026003200040
	34.00	4.00	WPC	WPC-026003400040
	35.00	7.00	SB2	SB2-026003500070
	35.00	7.00	SC	SC-026003500070
	35.00	7.00	TC	TC-026003500070
	37.00	6.00	SC	SC-026003700060
	37.00	7.00	SC	SC-026003700070
	38.00	5.00	TC	TC-026003800050
	38.00	7.00	SC	SC-026003800070
	38.00	7.00	TC	TC-026003800070
	38.00	8.00	SC	SC-026003800080
	38.00	8.00	TC	TC-026003800080
	39.45	10.00	SC	SC-026003940100
	40.00	5.00	VC	VC-026004000050
	40.00	6.00	TC	TC-026004000060
	40.00	7.00	TC	TC-026004000070
	42.00	7.00	SC	SC-026004200070
	42.00	7.00	TC	TC-026004200070
	42.00	8.00	SB2	SB2-026004200080
	42.00	8.00	TC	TC-026004200080
	42.00	10.00	SC	SC-026004200100
	45.00	8.00	TB2	TB2-026004500080
	45.00	10.00	TC	TC-026004500100
	47.00	7.00	SC	SC-026004700070
	47.00	7.00	TC	TC-026004700070
	48.00	8.00	TB2	TB2-026004800080
	52.00	7.00	TC	TC-026005200070
	52.00	8.00	SC	SC-026005200080
26.50	44.50	7.00	TC	TC-026504450070
27.00	37.00	4.00	VC	VC-027003700040
	37.00	7.00	SC	SC-027003700070
	37.00	7.00	TC	TC-027003700070
	37.00	7.00	DC	DC-027003700070
	38.00	5.00	TC	TC-027003800050
	39.00	10.00	TC	TC-027003900100
	40.00	6.00	SC	SC-027004000060

Shaft Dia.	Bore Dia.	Seal Width	Seal Design	Seal Number
27.00	40.00	6.00	TC	TC-027004000060
	40.00	7.00	TC	TC-027004000070
	40.00	8.00	SC	SC-027004000080
	41.00	10.00	SA2	SA2-027004100100
	42.00	7.00	SB2	SB2-027004200070
	42.00	10.00	SC	SC-027004200100
	43.00	8.00	SB2	SB2-027004300080
	43.00	9.00	TC	TC-027004300090
	45.00	8.00	SB2	SB2-027004500080
	45.00	8.00	SC	SC-027004500080
	47.00	6.00	SC	SC-027004700060
	47.00	7.00	SC	SC-027004700070
	47.00	7.00	TC	TC-027004700070
	47.00	8.00	SC	SC-027004700080
	47.00	10.00	SC	SC-027004700100
	47.00	10.00	TC	TC-027004700100
	50.00	10.00	TC	TC-027005000100
	52.00	8.00	SB2	SB2-027005200080
28.00	35.00	4.00	WPC	WPC-028003500040
	35.00	6.00	TC	TC-028003500060
	35.00	7.00	TC	TC-028003500070
	37.00	4.00	WPC	WPC-028003700040
	38.00	5.50	SC	SC-028003800055
	38.00	6.50	SC	SC-028003800065
	38.00	7.00	SC	SC-028003800070
	38.00	7.00	TC	TC-028003800070
	38.00	8.00	SC	SC-028003800080
	38.00	8.00	TC	TC-028003800080
	38.00	10.00	SC	SC-028003800100
	40.00	7.00	SA2	SA2-028004000070
	40.00	7.00	TA2	TA2-028004000070
	40.00	7.00	VA2	VA2-028004000070
	40.00	7.00	KA2	KA2-028004000070
	40.00	7.00	SB2	SB2-028004000070
	40.00	7.00	TB2	TB2-028004000070
	40.00	7.00	VB2	VB2-028004000070
	40.00	7.00	KB2	KB2-028004000070
	40.00	7.00	SC	SC-028004000070
	40.00	7.00	TC	TC-028004000070
	40.00	7.00	VC	VC-028004000070
	40.00	7.00	KC	KC-028004000070
	40.00	7.00	SBC	SBC-028004000070
	40.00	7.00	TBC	TBC-028004000070
	40.00	7.00	VBC	VBC-028004000070
	40.00	7.00	KBC	KBC-028004000070
	40.00	8.00	TB2	TB2-028004000080
	40.00	8.00	SC	SC-028004000080
	40.00	8.00	TC	TC-028004000080
	40.00	8.00	DC	DC-028004000080
	41.00	7.00	TC	TC-028004100070
	42.00	7.00	SB2	SB2-028004200070
	42.00	7.00	SC	SC-028004200070
	42.00	7.00	TC	TC-028004200070
	42.00	8.00	SC	SC-028004200080
	42.00	8.00	TC	TC-028004200080
	42.00	8.50	WPR	WPR-028004200085
	42.00	10.00	SC	SC-028004200100
	42.00	10.00	TC	TC-028004200100
	42.50	8.00	SC	SC-028004250080
	43.00	7.00	TC	TC-028004300070
	43.00	10.00	SC	SC-028004300100
	44.00	6.00	TC	TC-028004400060
	44.00	7.00	TC	TC-028004400070

ESP METRIC SIZE LIST

Metric Size List

Shaft Dia.	Bore Dia.	Seal Width	Seal Design	Seal Number	
28.00	45.00	7.00	SB2	SB2-028004500070	
	45.00	7.00	TC	TC-028004500070	
	45.00	8.00	SC	SC-028004500080	
	45.00	10.00	TC	TC-028004500100	
	46.00	8.00	TC	TC-028004600080	
	47.00	7.00	SA2	SA2-028004700070	
	47.00	7.00	TA2	TA2-028004700070	
	47.00	7.00	VA2	VA2-028004700070	
	47.00	7.00	KA2	KA2-028004700070	
	47.00	7.00	SB2	SB2-028004700070	
	47.00	7.00	TB2	TB2-028004700070	
	47.00	7.00	VB2	VB2-028004700070	
	47.00	7.00	KB2	KB2-028004700070	
	47.00	7.00	SC	SC-028004700070	
	47.00	7.00	TC	TC-028004700070	
	47.00	7.00	VC	VC-028004700070	
	47.00	7.00	KC	KC-028004700070	
	47.00	7.00	SBC	SBC-028004700070	
	47.00	7.00	TBC	TBC-028004700070	
	47.00	7.00	VBC	VBC-028004700070	
	47.00	7.00	KBC	KBC-028004700070	
	47.00	8.00	SB2	SB2-028004700080	
	47.00	8.00	TC	TC-028004700080	
	47.00	8.00	DC	DC-028004700080	
	47.00	10.00	SC	SC-028004700100	
	47.00	10.00	TC	TC-028004700100	
	48.00	8.00	TC	TC-028004800080	
	48.00	10.00	SC	SC-028004800100	
	48.00	11.00	SC	SC-028004800110	
	50.00	8.00	TC	TC-028005000080	
	50.00	10.00	TC	TC-028005000100	
	52.00	6.00	SC	SC-028005200060	
	52.00	7.00	SA2	SA2-028005200070	
	52.00	7.00	TA2	TA2-028005200070	
	52.00	7.00	VA2	VA2-028005200070	
	52.00	7.00	KA2	KA2-028005200070	
	52.00	7.00	SB2	SB2-028005200070	
	52.00	7.00	TB2	TB2-028005200070	
	52.00	7.00	VB2	VB2-028005200070	
	52.00	7.00	KB2	KB2-028005200070	
	52.00	7.00	SC	SC-028005200070	
	52.00	7.00	TC	TC-028005200070	
	52.00	7.00	VC	VC-028005200070	
	52.00	7.00	KC	KC-028005200070	
	52.00	7.00	SBC	SBC-028005200070	
	52.00	7.00	TBC	TBC-028005200070	
	52.00	7.00	VBC	VBC-028005200070	
	52.00	7.00	KBC	KBC-028005200070	
	52.00	8.00	SB2	SB2-028005200080	
	52.00	10.00	SC	SC-028005200100	
	52.00	10.00	TC	TC-028005200100	
	54.00	7.00	TC	TC-028005400070	
	54.00	8.00	TC	TC-028005400080	
	55.00	9.00	TC	TC-028005500090	
	56.00	8.00	TC	TC-028005600080	
	56.00	8.00	DC	DC-028005600080	
	62.00	8.00	TC	TC-028006200080	
	62.00	12.00	SA2	SA2-028006200120	
	28.60	40.00	8.00	TC	TC-028604000080
		43.00	6.50	TC	TC-028604300065
29.00	37.44	5.00	SC	SC-029003740050	
	45.00	10.00	SC	SC-029004500100	

Shaft Dia.	Bore Dia.	Seal Width	Seal Design	Seal Number
29.00	48.00	8.00	TC	TC-029004800080
	62.20	9.00	TC	TC-029006220090
30.00	37.00	4.00	VC	VC-030003700040
	37.00	4.00	WPC	WPC-030003700040
	38.00	7.00	TC	TC-030003800070
	40.00	4.00	WPC	WPC-030004000040
	40.00	7.00	SB2	SB2-030004000070
	40.00	7.00	SC	SC-030004000070
	40.00	7.00	TC	TC-030004000070
	40.00	10.00	SC	SC-030004000100
	40.00	10.00	TC	TC-030004000100
	41.00	7.00	TC	TC-030004100070
	42.00	4.50	SC	SC-030004200045
	42.00	6.00	SC	SC-030004200060
	42.00	6.00	TC	TC-030004200060
	42.00	7.00	SA2	SA2-030004200070
	42.00	7.00	TA2	TA2-030004200070
	42.00	7.00	VA2	VA2-030004200070
	42.00	7.00	KA2	KA2-030004200070
	42.00	7.00	SB2	SB2-030004200070
	42.00	7.00	TB2	TB2-030004200070
	42.00	7.00	VB2	VB2-030004200070
	42.00	7.00	KB2	KB2-030004200070
	42.00	7.00	SC	SC-030004200070
	42.00	7.00	TC	TC-030004200070
	42.00	7.00	VC	VC-030004200070
	42.00	7.00	KC	KC-030004200070
	42.00	7.00	SBC	SBC-030004200070
	42.00	7.00	TBC	TBC-030004200070
	42.00	7.00	VBC	VBC-030004200070
	42.00	7.00	KBC	KBC-030004200070
	42.00	8.00	SC	SC-030004200080
42.00	8.00	TC	TC-030004200080	
43.00	7.00	TC	TC-030004300070	
43.00	8.00	TC	TC-030004300080	
43.00	9.00	TC	TC-030004300090	
44.00	7.00	SC	SC-030004400070	
44.00	7.00	TC	TC-030004400070	
44.00	9.00	TC	TC-030004400090	
44.00	10.00	SC	SC-030004400100	
45.00	5.00	TC	TC-030004500050	
45.00	7.00	SC	SC-030004500070	
45.00	7.00	TC	TC-030004500070	
45.00	8.00	SB2	SB2-030004500080	
45.00	8.00	SC	SC-030004500080	
45.00	8.00	TC	TC-030004500080	
45.00	11.00	TC	TC-030004500110	
46.00	5.00	TC	TC-030004600050	
46.00	6.00	TC	TC-030004600060	
46.00	7.00	TC	TC-030004600070	
46.00	8.00	TC	TC-030004600080	
46.00	10.00	TC	TC-030004600100	
47.00	6.00	SC	SC-030004700060	
47.00	6.00	TC	TC-030004700060	
47.00	7.00	SA2	SA2-030004700070	
47.00	7.00	TA2	TA2-030004700070	
47.00	7.00	VA2	VA2-030004700070	
47.00	7.00	KA2	KA2-030004700070	
47.00	7.00	SB2	SB2-030004700070	
47.00	7.00	TB2	TB2-030004700070	
47.00	7.00	VB2	VB2-030004700070	
47.00	7.00	KB2	KB2-030004700070	

Metric Size List

Shaft Dia.	Bore Dia.	Seal Width	Seal Design	Seal Number
30.00	47.00	7.00	SC	SC-030004700070
	47.00	7.00	TC	TC-030004700070
	47.00	7.00	VC	VC-030004700070
	47.00	7.00	KC	KC-030004700070
	47.00	7.00	SBC	SBC-030004700070
	47.00	7.00	TBC	TBC-030004700070
	47.00	7.00	VBC	VBC-030004700070
	47.00	7.00	KBC	KBC-030004700070
	47.00	8.00	SB2	SB2-030004700080
	47.00	8.00	SC	SC-030004700080
	47.00	8.00	TC	TC-030004700080
	47.00	10.00	SC	SC-030004700100
	47.00	10.00	TC	TC-030004700100
	48.00	7.00	TC	TC-030004800070
	48.00	8.00	SB2	SB2-030004800080
	48.00	8.00	SC	SC-030004800080
	48.00	8.00	TC	TC-030004800080
	48.00	10.00	TC	TC-030004800100
	49.00	7.00	TC	TC-030004900070
	49.00	8.00	TC	TC-030004900080
	50.00	7.00	SC	SC-030005000070
	50.00	8.00	SB2	SB2-030005000080
	50.00	8.00	SC	SC-030005000080
	50.00	8.00	TC	TC-030005000080
	50.00	10.00	SC	SC-030005000100
	50.00	10.00	TC	TC-030005000100
	50.00	11.00	TC	TC-030005000110
	52.00	7.00	SA2	SA2-030005200070
	52.00	7.00	TA2	TA2-030005200070
	52.00	7.00	VA2	VA2-030005200070
	52.00	7.00	KA2	KA2-030005200070
	52.00	7.00	SB2	SB2-030005200070
	52.00	7.00	TB2	TB2-030005200070
	52.00	7.00	VB2	VB2-030005200070
	52.00	7.00	KB2	KB2-030005200070
	52.00	7.00	SC	SC-030005200070
	52.00	7.00	TC	TC-030005200070
	52.00	7.00	VC	VC-030005200070
	52.00	7.00	KC	KC-030005200070
	52.00	7.00	SBC	SBC-030005200070
	52.00	7.00	TBC	TBC-030005200070
	52.00	7.00	VBC	VBC-030005200070
	52.00	7.00	KBC	KBC-030005200070
	52.00	8.00	SB2	SB2-030005200080
	52.00	8.00	TC	TC-030005200080
	52.00	9.00	SA2	SA2-030005200090
	52.00	10.00	SC	SC-030005200100
	52.00	10.00	TC	TC-030005200100
	52.00	12.00	SC	SC-030005200120
	54.00	8.00	TC	TC-030005400080
	55.00	7.00	SB2	SB2-030005500070
	55.00	7.00	SC	SC-030005500070
	55.00	8.00	SC	SC-030005500080
	55.00	8.00	TC	TC-030005500080
	55.00	10.00	SC	SC-030005500100
	55.00	10.00	TC	TC-030005500100
	55.00	12.00	SC	SC-030005500120
	55.00	12.00	TC	TC-030005500120
	56.00	8.00	SB2	SB2-030005600080
	56.00	8.00	SC	SC-030005600080
	56.00	8.00	TC	TC-030005600080
	56.00	10.00	SC	SC-030005600100

Shaft Dia.	Bore Dia.	Seal Width	Seal Design	Seal Number
30.00	57.00	8.00	TC	TC-030005700080
	58.00	8.00	TB2	TB2-030005800080
	58.00	8.00	TC	TC-030005800080
	60.00	8.00	SB2	SB2-030006000080
	60.00	10.00	SC	SC-030006000100
	60.00	10.00	TC	TC-030006000100
	60.00	12.00	TC	TC-030006000120
	62.00	6.00	DC	DC-030006200060
	62.00	7.00	SB2	SB2-030006200070
	62.00	7.00	SC	SC-030006200070
	62.00	7.00	TC	TC-030006200070
	62.00	7.00	DC	DC-030006200070
	62.00	8.00	TC	TC-030006200080
	62.00	10.00	SC	SC-030006200100
	62.00	10.00	TC	TC-030006200100
	65.00	8.00	DC	DC-030006500080
	65.00	10.00	TC	TC-030006500100
	72.00	8.00	SB2	SB2-030007200080
	72.00	10.00	SC	SC-030007200100
	72.00	10.00	TC	TC-030007200100
	72.00	12.00	TB2	TB2-030007200120
	75.00	10.00	TC	TC-030007500100
31.00	42.00	8.00	SC	SC-031004200080
	52.00	7.00	SC	SC-031005200070
	52.00	9.00	SC	SC-031005200090
	52.00	9.00	TC	TC-031005200090
31.50	48.00	8.00	SC	SC-031504800080
32.00	40.00	7.00	SC	SC-032004000070
	40.00	7.00	TC	TC-032004000070
	42.00	4.00	WPC	WPC-032004200040
	42.00	6.00	TC	TC-032004200060
	42.00	7.00	SB2	SB2-032004200070
	42.00	7.00	SC	SC-032004200070
	42.00	7.00	TC	TC-032004200070
	42.00	8.00	TC	TC-032004200080
	43.00	5.50	SC	SC-032004300055
	43.00	7.00	TC	TC-032004300070
	43.00	8.00	TC	TC-032004300080
	43.00	10.00	TC	TC-032004300100
	44.00	6.00	TC	TC-032004400060
	44.00	7.00	TC	TC-032004400070
	44.00	8.00	TC	TC-032004400080
	44.00	8.00	DC	DC-032004400080
	44.00	9.00	TB2	TB2-032004400090
	44.00	9.00	SC	SC-032004400090
	45.00	5.00	SC	SC-032004500050
	45.00	6.00	SC	SC-032004500060
	45.00	7.00	TB2	TB2-032004500070
	45.00	7.00	SC	SC-032004500070
	45.00	7.00	TC	TC-032004500070
	45.00	8.00	SA2	SA2-032004500080
	45.00	8.00	TA2	TA2-032004500080
	45.00	8.00	VA2	VA2-032004500080
	45.00	8.00	KA2	KA2-032004500080
	45.00	8.00	SB2	SB2-032004500080
	45.00	8.00	TB2	TB2-032004500080
	45.00	8.00	VB2	VB2-032004500080
	45.00	8.00	KB2	KB2-032004500080
	45.00	8.00	SC	SC-032004500080
	45.00	8.00	TC	TC-032004500080
	45.00	8.00	VC	VC-032004500080
	45.00	8.00	KC	KC-032004500080

Metric Size List

Shaft Dia.	Bore Dia.	Seal Width	Seal Design	Seal Number
32.00	45.00	8.00	SBC	SBC-032004500080
	45.00	8.00	TBC	TBC-032004500080
	45.00	8.00	VBC	VBC-032004500080
	45.00	8.00	KBC	KBC-032004500080
	46.00	6.00	TC	TC-032004600060
	46.00	8.00	SB2	SB2-032004600080
	46.00	8.00	TC	TC-032004600080
	47.00	6.50	SC	SC-032004700065
	47.00	7.00	SC	SC-032004700070
	47.00	7.00	TC	TC-032004700070
	47.00	8.00	SA2	SA2-032004700080
	47.00	8.00	TA2	TA2-032004700080
	47.00	8.00	VA2	VA2-032004700080
	47.00	8.00	KA2	KA2-032004700080
	47.00	8.00	SB2	SB2-032004700080
	47.00	8.00	TB2	TB2-032004700080
	47.00	8.00	VB2	VB2-032004700080
	47.00	8.00	KB2	KB2-032004700080
	47.00	8.00	SC	SC-032004700080
	47.00	8.00	TC	TC-032004700080
	47.00	8.00	VC	VC-032004700080
	47.00	8.00	KC	KC-032004700080
	47.00	8.00	SBC	SBC-032004700080
	47.00	8.00	TBC	TBC-032004700080
	47.00	8.00	VBC	VBC-032004700080
	47.00	8.00	KBC	KBC-032004700080
	47.00	10.00	SC	SC-032004700100
	47.00	10.00	TC	TC-032004700100
	48.00	7.00	SC	SC-032004800070
	48.00	7.00	TC	TC-032004800070
	48.00	8.00	SB2	SB2-032004800080
	48.00	8.00	SC	SC-032004800080
	48.00	8.00	TC	TC-032004800080
	48.00	10.00	SC	SC-032004800100
	50.00	8.00	SB2	SB2-032005000080
	50.00	8.00	SC	SC-032005000080
	50.00	8.00	TC	TC-032005000080
	50.00	10.00	SC	SC-032005000100
	50.00	10.00	0.00	0-032005000100
	51.00	8.00	TC	TC-032005100080
	52.00	5.00	SC	SC-032005200050
	52.00	5.50	SC	SC-032005200055
	52.00	7.00	SC	SC-032005200070
	52.00	7.00	TC	TC-032005200070
	52.00	8.00	SA2	SA2-032005200080
	52.00	8.00	TA2	TA2-032005200080
	52.00	8.00	VA2	VA2-032005200080
	52.00	8.00	KA2	KA2-032005200080
	52.00	8.00	SB2	SB2-032005200080
	52.00	8.00	TB2	TB2-032005200080
	52.00	8.00	VB2	VB2-032005200080
	52.00	8.00	KB2	KB2-032005200080
	52.00	8.00	SC	SC-032005200080
	52.00	8.00	TC	TC-032005200080
	52.00	8.00	VC	VC-032005200080
	52.00	8.00	KC	KC-032005200080
	52.00	8.00	SBC	SBC-032005200080
	52.00	8.00	TBC	TBC-032005200080
	52.00	8.00	VBC	VBC-032005200080
	52.00	8.00	KBC	KBC-032005200080
	52.00	10.00	SC	SC-032005200100
	52.00	10.00	TC	TC-032005200100

Shaft Dia.	Bore Dia.	Seal Width	Seal Design	Seal Number
32.00	52.00	11.00	TC	TC-032005200110
	52.00	12.00	SC	SC-032005200120
	52.00	12.00	TC	TC-032005200120
	54.00	10.00	TC	TC-032005400100
	55.00	8.00	TC	TC-032005500080
	55.00	9.00	TC	TC-032005500090
	55.00	10.00	SC	SC-032005500100
	56.00	8.00	SB2	SB2-032005600080
	56.00	10.00	SC	SC-032005600100
	56.00	10.00	TC	TC-032005600100
	58.00	10.00	TC	TC-032005800100
	60.00	8.00	TB2	TB2-032006000080
	60.00	8.00	TC	TC-032006000080
	62.00	6.00	SC	SC-032006200060
	62.00	6.35	SB2	SB2-032006200063
	62.00	7.00	SC	SC-032006200070
	62.00	8.00	TC	TC-032006200080
	62.00	10.00	SC	SC-032006200100
	62.00	10.00	TC	TC-032006200100
	65.00	12.00	TB2	TB2-032006500120
	65.00	13.00	TC	TC-032006500130
	72.00	9.53	TC	TC-032007200095
	72.00	11.00	TC	TC-032007200110
	78.00	9.50	DC	DC-032007800095
33.00	39.00	4.00	KC	KC-033003900040
	43.00	9.00	TC	TC-033004300090
	44.00	7.00	TB2	TB2-033004400070
	44.00	8.00	TB	TB-033004400080
	44.00	8.00	TC	TC-033004400080
	45.00	7.00	SC	SC-033004500070
	45.00	8.00	DC	DC-033004500080
	47.00	7.00	TC	TC-033004700070
	47.00	8.00	TC	TC-033004700080
	50.00	6.00	SC	SC-033005000060
	50.00	6.00	TC	TC-033005000060
	50.00	8.00	SC	SC-033005000080
	50.00	10.00	SC	SC-033005000100
	52.00	6.00	SC	SC-033005200060
	52.00	10.00	TC	TC-033005200100
	55.00	9.50	TB2	TB2-033005500095
	65.00	12.00	TC	TC-033006500120
34.00	39.00	3.00	VC	VC-034003900030
	39.00	3.00	KC	KC-034003900030
	41.00	4.00	KC	KC-034004100040
	44.00	7.00	SC	SC-034004400070
	44.00	7.00	TC	TC-034004400070
	44.00	8.00	TC	TC-034004400080
	45.00	7.00	SC	SC-034004500070
	45.00	8.00	TC	TC-034004500080
	46.00	8.00	TC	TC-034004600080
	46.00	10.00	SC	SC-034004600100
	48.00	7.00	TC	TC-034004800070
	48.00	8.00	SB2	SB2-034004800080
	48.00	8.00	TC	TC-034004800080
	50.00	7.00	SC	SC-034005000070
	50.00	7.00	TC	TC-034005000070
	52.00	8.00	SC	SC-034005200080
	52.00	8.00	TC	TC-034005200080
	52.00	10.00	SB2	SB2-034005200100
	52.00	10.00	TC	TC-034005200100
	54.00	9.00	SC	SC-034005400090
	54.00	11.00	SB2	SB2-034005400110

Metric Size List

Shaft Dia.	Bore Dia.	Seal Width	Seal Design	Seal Number
34.00	54.00	8.00	SB2	SB2-034005400080
	55.00	9.00	TC	TC-034005500090
	55.00	11.00	TC	TC-034005500110
	56.00	8.00	SB2	SB2-034005600080
	60.00	8.00	SC	SC-034006000080
	62.00	6.00	SC	SC-034006200060
	62.00	8.00	SB2	SB2-034006200080
	62.00	10.00	SC	SC-034006200100
34.90	46.40	6.00	TC	TC-034904640060
35.00	42.00	4.00	WPC	WPC-035004200040
	42.00	7.00	TC	TC-035004200070
	45.00	4.00	WPC	WPC-035004500040
	45.00	5.00	TC	TC-035004500050
	45.00	6.00	SC	SC-035004500060
	45.00	7.00	SC	SC-035004500070
	46.00	8.00	SC	SC-035004600080
	47.00	5.00	WPC	WPC-035004700050
	47.00	7.00	SB2	SB2-035004700070
	47.00	7.00	TB2	TB2-035004700070
	47.00	7.00	SC	SC-035004700070
	47.00	7.00	TC	TC-035004700070
	47.00	8.00	SC	SC-035004700080
	47.00	9.50	TC	TC-035004700095
	47.00	10.00	TC	TC-035004700100
	48.00	7.00	TC	TC-035004800070
	48.00	8.00	SB2	SB2-035004800080
	48.00	8.00	SC	SC-035004800080
	48.00	8.00	TC	TC-035004800080
	48.00	9.00	SC	SC-035004800090
	48.00	10.00	TC	TC-035004800100
	48.00	11.00	TC	TC-035004800110
	48.00	14.00	TC	TC-035004800140
	50.00	7.00	SC	SC-035005000070
	50.00	7.00	TC	TC-035005000070
	50.00	8.00	SA2	SA2-035005000080
	50.00	8.00	TA2	TA2-035005000080
	50.00	8.00	VA2	VA2-035005000080
	50.00	8.00	KA2	KA2-035005000080
	50.00	8.00	SB2	SB2-035005000080
	50.00	8.00	TB2	TB2-035005000080
	50.00	8.00	VB2	VB2-035005000080
	50.00	8.00	KB2	KB2-035005000080
	50.00	8.00	SC	SC-035005000080
	50.00	8.00	TC	TC-035005000080
	50.00	8.00	VC	VC-035005000080
	50.00	8.00	KC	KC-035005000080
	50.00	8.00	SBC	SBC-035005000080
	50.00	8.00	TBC	TBC-035005000080
	50.00	8.00	VBC	VBC-035005000080
	50.00	8.00	KBC	KBC-035005000080
	50.00	10.00	SC	SC-035005000100
50.00	10.00	TC	TC-035005000100	
50.00	11.00	TC	TC-035005000110	
50.00	12.00	TC	TC-035005000120	
51.00	8.00	TC	TC-035005100080	
51.00	10.00	TC	TC-035005100100	
52.00	7.00	SC	SC-035005200070	
52.00	7.00	TC	TC-035005200070	
52.00	8.00	SA2	SA2-035005200080	
52.00	8.00	TA2	TA2-035005200080	
52.00	8.00	VA2	VA2-035005200080	
52.00	8.00	KA2	KA2-035005200080	

Shaft Dia.	Bore Dia.	Seal Width	Seal Design	Seal Number
35.00	52.00	8.00	SB2	SB2-035005200080
	52.00	8.00	TB2	TB2-035005200080
	52.00	8.00	VB2	VB2-035005200080
	52.00	8.00	KB2	KB2-035005200080
	52.00	8.00	SC	SC-035005200080
	52.00	8.00	TC	TC-035005200080
	52.00	8.00	VC	VC-035005200080
	52.00	8.00	KC	KC-035005200080
	52.00	8.00	SBC	SBC-035005200080
	52.00	8.00	TBC	TBC-035005200080
	52.00	8.00	VBC	VBC-035005200080
	52.00	8.00	KBC	KBC-035005200080
	50.00	8.00	SC	SC-035005000080
	52.00	9.00	SC	SC-035005200090
	52.00	9.00	TC	TC-035005200090
	52.00	10.00	SC	SC-035005200100
	52.00	10.00	TC	TC-035005200100
	52.00	12.00	TB2	TB2-035005200120
	52.00	12.00	SC	SC-035005200120
	52.00	12.00	TC	TC-035005200120
	54.00	7.00	SB2	SB2-035005400070
	54.00	8.00	SB2	SB2-035005400080
	54.00	8.00	TC	TC-035005400080
	54.00	9.00	TC	TC-035005400090
	54.00	10.00	TC	TC-035005400100
	55.00	8.00	SA2	SA2-035005500080
	55.00	8.00	TA2	TA2-035005500080
	55.00	8.00	VA2	VA2-035005500080
	55.00	8.00	KA2	KA2-035005500080
	55.00	8.00	SB2	SB2-035005500080
	55.00	8.00	TB2	TB2-035005500080
	55.00	8.00	VB2	VB2-035005500080
	55.00	8.00	KB2	KB2-035005500080
	55.00	8.00	SC	SC-035005500080
	55.00	8.00	TC	TC-035005500080
	55.00	8.00	VC	VC-035005500080
	55.00	8.00	KC	KC-035005500080
	55.00	8.00	SBC	SBC-035005500080
	55.00	8.00	TBC	TBC-035005500080
	55.00	8.00	VBC	VBC-035005500080
	55.00	8.00	KBC	KBC-035005500080
	55.00	9.00	TC	TC-035005500090
55.00	10.00	SC	SC-035005500100	
55.00	10.00	TC	TC-035005500100	
55.00	11.00	TB2	TB2-035005500110	
55.00	11.00	SC	SC-035005500110	
55.00	11.00	TC	TC-035005500110	
55.00	12.00	TC	TC-035005500120	
56.00	8.00	SB2	SB2-035005600080	
56.00	10.00	SC	SC-035005600100	
56.00	10.00	TC	TC-035005600100	
57.00	8.00	TC	TC-035005700080	
57.00	10.00	TC	TC-035005700100	
58.00	10.00	SB2	SB2-035005800100	
58.00	10.00	SC	SC-035005800100	
58.00	10.00	TC	TC-035005800100	
60.00	10.00	SC	SC-035006000100	
60.00	10.00	TC	TC-035006000100	
60.00	14.00	TC	TC-035006000140	
62.00	6.00	TC	TC-035006200060	
62.00	7.00	SC	SC-035006200070	
62.00	7.00	TC	TC-035006200070	



Metric Size List

Shaft Dia.	Bore Dia.	Seal Width	Seal Design	Seal Number
35.00	62.00	8.00	SB2	SB2-035006200080
	62.00	8.00	TC	TC-035006200080
	62.00	9.50	TC	TC-035006200095
	62.00	10.00	SC	SC-035006200100
	62.00	10.00	TC	TC-035006200100
	62.00	12.00	TC	TC-035006200120
	63.00	10.00	TC	TC-035006300100
	64.00	7.00	TC	TC-035006400070
	64.00	8.00	TB2	TB2-035006400080
	64.00	13.00	TC	TC-035006400130
	64.00	13.00	XC	XC-035006400130
	65.00	8.00	SB2	SB2-035006500080
	65.00	8.00	TC	TC-035006500080
	65.00	9.50	TC	TC-035006500095
	65.00	10.00	SC	SC-035006500100
	65.00	10.00	TC	TC-035006500100
	65.00	12.00	TB2	TB2-035006500120
	65.00	12.00	XC	XC-035006500120
	67.00	12.00	TC	TC-035006700120
	68.00	8.00	SB2	SB2-035006800080
	68.00	10.00	SC	SC-035006800100
	68.00	10.00	TC	TC-035006800100
	68.00	12.00	TC	TC-035006800120
	69.00	8.00	SB2	SB2-035006900080
	70.00	8.00	TC	TC-035007000080
	72.00	8.00	SB2	SB2-035007200080
	72.00	8.00	TB2	TB2-035007200080
	72.00	8.00	DC	DC-035007200080
	72.00	9.00	SUA2	SUA2-035007200090
	72.00	10.00	SC	SC-035007200100
	72.00	10.00	TC	TC-035007200100
	72.00	12.00	SC	SC-035007200120
	72.00	12.00	TC	TC-035007200120
	78.00	8.00	SB2	SB2-035007800080
	80.00	8.00	SB2	SB2-035008000080
	80.00	12.00	TC	TC-035008000120
35.50	49.00	7.00	TC	TC-035504900070
36.00	45.00	7.50	TC	TC-036004500075
	46.00	9.00	SB2	SB2-036004600090
	46.00	9.00	TB2	TB2-036004600090
	47.00	7.00	SC	SC-036004700070
	47.00	10.00	TC	TC-036004700100
	49.00	7.00	TC	TC-036004900070
	50.00	7.00	TA2	TA2-036005000070
	50.00	7.00	SB2	SB2-036005000070
	50.00	7.00	SC	SC-036005000070
	50.00	7.00	TC	TC-036005000070
	50.00	8.00	SB2	SB2-036005000080
	52.00	7.00	SC	SC-036005200070
	52.00	8.00	SB2	SB2-036005200080
	52.00	8.00	DC	DC-036005200080
	54.00	7.00	SC	SC-036005400070
	54.00	7.00	TC	TC-036005400070
	54.00	7.50	SC	SC-036005400075
	54.00	8.00	SB2	SB2-036005400080
	54.00	8.00	SC	SC-036005400080
	55.00	8.00	TB2	TB2-036005500080
	56.00	8.00	TC	TC-036005600080
	56.00	10.00	SB2	SB2-036005600100
	56.00	10.00	SC	SC-036005600100
	58.00	8.00	SB2	SB2-036005800080
	58.00	10.00	SC	SC-036005800100

Shaft Dia.	Bore Dia.	Seal Width	Seal Design	Seal Number
36.00	58.00	10.00	TC	TC-036005800100
	58.00	12.00	SC	SC-036005800120
	60.00	8.00	SB2	SB2-036006000080
	62.00	7.00	SC	SC-036006200070
	62.00	7.00	DC	DC-036006200070
	62.00	8.00	SB2	SB2-036006200080
	63.40	12.50	TC	TC-036006340125
	65.00	8.00	SB2	SB2-036006500080
	68.00	8.00	SB2	SB2-036006800080
	68.00	10.00	SC	SC-036006800100
	72.00	8.00	TB2	TB2-036007200080
	72.00	8.00	TC	TC-036007200080
36.50	50.50	7.00	TC	TC-036505050070
37.00	46.00	8.00	TC	TC-037004600080
	47.00	4.00	WPC	WPC-037004700040
	47.50	7.00	TC	TC-037004750070
	50.00	8.00	TC	TC-037005000080
	52.00	8.00	SC	SC-037005200080
	55.00	10.00	SA2	SA2-037005500100
	62.00	8.00	SC	SC-037006200080
	62.00	9.00	DC	DC-037006200090
38.00	47.00	8.00	TC	TC-038004700080
	47.00	10.00	TC	TC-038004700100
	48.00	4.00	WPC	WPC-038004800040
	48.00	8.00	TC	TC-038004800080
	50.00	7.00	SB2	SB2-038005000070
	50.00	7.00	SC	SC-038005000070
	50.00	7.00	TC	TC-038005000070
	50.00	8.00	TC	TC-038005000080
	50.00	10.00	TC	TC-038005000100
	50.50	8.50	TC	TC-038005050085
	51.00	7.00	TC	TC-038005100070
	51.00	7.00	SC	SC-038005100070
	52.00	6.00	KB2	KB2-038005200060
	52.00	6.00	TC	TC-038005200060
	52.00	7.00	SC	SC-038005200070
	52.00	7.00	TC	TC-038005200070
	52.00	8.00	SB2	SB2-038005200080
	52.00	8.00	TB2	TB2-038005200080
	52.00	8.00	SC	SC-038005200080
	52.00	8.00	TC	TC-038005200080
	52.00	9.50	SC	SC-038005200095
	52.00	9.50	KC	KC-038005200095
	52.00	10.00	SB2	SB2-038005200100
	52.00	10.00	SC	SC-038005200100
	52.00	10.00	TC	TC-038005200100
	52.50	8.00	TC	TC-038005250080
	53.00	7.00	SC	SC-038005300070
	53.00	8.00	SB2	SB2-038005300080
	54.00	7.00	SB2	SB2-038005400070
	54.00	8.00	TC	TC-038005400080
	54.00	10.00	SC	SC-038005400100
	55.00	6.00	SC	SC-038005500060
	55.00	7.00	SC	SC-038005500070
	55.00	7.00	TC	TC-038005500070
	55.00	8.00	SA2	SA2-038005500080
	55.00	8.00	TA2	TA2-038005500080
	55.00	8.00	VA2	VA2-038005500080
	55.00	8.00	KA2	KA2-038005500080
	55.00	8.00	SB2	SB2-038005500080
	55.00	8.00	TB2	TB2-038005500080
	55.00	8.00	VB2	VB2-038005500080

Metric Size List

Shaft Dia.	Bore Dia.	Seal Width	Seal Design	Seal Number
38.00	55.00	8.00	KB2	KB2-038005500080
	55.00	8.00	SC	SC-038005500080
	55.00	8.00	TC	TC-038005500080
	55.00	8.00	VC	VC-038005500080
	55.00	8.00	KC	KC-038005500080
	55.00	8.00	SBC	SBC-038005500080
	55.00	8.00	TBC	TBC-038005500080
	55.00	8.00	VBC	VBC-038005500080
	55.00	8.00	KBC	KBC-038005500080
	55.00	10.00	TC	TC-038005500100
	55.50	9.00	SC	SC-038005550090
	56.00	8.00	SB2	SB2-038005600080
	56.00	8.00	TC	TC-038005600080
	56.00	9.00	TC	TC-038005600090
	56.00	10.00	SC	SC-038005600100
	56.00	10.00	TC	TC-038005600100
	58.00	8.00	SA2	SA2-038005800080
	58.00	8.00	TA2	TA2-038005800080
	58.00	8.00	VA2	VA2-038005800080
	58.00	8.00	KA2	KA2-038005800080
	58.00	8.00	SB2	SB2-038005800080
	58.00	8.00	TB2	TB2-038005800080
	58.00	8.00	VB2	VB2-038005800080
	58.00	8.00	KB2	KB2-038005800080
	58.00	8.00	SC	SC-038005800080
	58.00	8.00	TC	TC-038005800080
	58.00	8.00	VC	VC-038005800080
	58.00	8.00	KC	KC-038005800080
	58.00	8.00	SBC	SBC-038005800080
	58.00	8.00	TBC	TBC-038005800080
	58.00	8.00	VBC	VBC-038005800080
	58.00	8.00	KBC	KBC-038005800080
	58.00	8.50	TC	TC-038005800085
	58.00	10.00	TC	TC-038005800100
	58.00	11.00	TB2	TB2-038005800110
	58.00	11.00	XB2	XB2-038005800110
	58.00	11.00	TC	TC-038005800110
	58.00	11.13	TC	TC-038005800111
	60.00	8.00	SB2	SB2-038006000080
	60.00	8.00	TC	TC-038006000080
	60.00	10.00	SC	SC-038006000100
	60.00	10.00	TC	TC-038006000100
	62.00	7.00	SC	SC-038006200070
	62.00	7.00	TC	TC-038006200070
	62.00	8.00	SA2	SA2-038006200080
	62.00	8.00	TA2	TA2-038006200080
	62.00	8.00	VA2	VA2-038006200080
	62.00	8.00	KA2	KA2-038006200080
	62.00	8.00	SB2	SB2-038006200080
	62.00	8.00	TB2	TB2-038006200080
	62.00	8.00	VB2	VB2-038006200080
	62.00	8.00	KB2	KB2-038006200080
	62.00	8.00	SC	SC-038006200080
	62.00	8.00	TC	TC-038006200080
	62.00	8.00	VC	VC-038006200080
	62.00	8.00	KC	KC-038006200080
	62.00	8.00	SBC	SBC-038006200080
	62.00	8.00	TBC	TBC-038006200080
	62.00	8.00	VBC	VBC-038006200080
	62.00	8.00	KBC	KBC-038006200080
	62.00	10.00	SC	SC-038006200100
	62.00	10.00	TC	TC-038006200100

Shaft Dia.	Bore Dia.	Seal Width	Seal Design	Seal Number
38.00	62.00	12.00	SC	SC-038006200120
	63.00	8.00	TC	TC-038006300080
	63.50	8.20	SB2	SB2-038006350082
	63.50	12.50	SA2	SA2-038006350125
	64.00	8.00	TC	TC-038006400080
	64.00	9.00	TC	TC-038006400090
	64.00	10.00	TC	TC-038006400100
	65.00	8.00	SB2	SB2-038006500080
	65.00	10.00	SC	SC-038006500100
	65.00	10.00	TC	TC-038006500100
	65.00	12.00	TC	TC-038006500120
	68.00	8.00	SB2	SB2-038006800080
	68.00	10.00	TC	TC-038006800100
	70.00	8.00	SB2	SB2-038007000080
	70.00	8.00	TC	TC-038007000080
	70.00	10.00	SC	SC-038007000100
	72.00	8.00	SB2	SB2-038007200080
	72.00	10.00	SC	SC-038007200100
	72.00	10.00	TC	TC-038007200100
	73.00	8.00	SB2	SB2-038007300080
	74.00	11.00	SB2	SB2-038007400110
	74.00	11.00	TB2	TB2-038007400110
	74.00	11.00	TC	TC-038007400110
	75.00	10.00	TC	TC-038007500100
	80.00	8.00	SB2	SB2-038008000080
	90.00	8.00	TB2	TB2-038009000080
39.00	50.40	8.40	TBR	TBR-039005040084
	65.00	9.00	SC	SC-039006500090
39.50	60.00	10.00	TB2	TB2-039506000100
40.00	47.00	4.00	KC	KC-040004700040
	47.00	4.00	WPC	WPC-040004700040
	49.00	6.00	SC	SC-040004900060
	50.00	4.00	WPC	WPC-040005000040
	50.00	7.00	TC	TC-040005000070
	50.00	8.00	SC	SC-040005000080
	50.00	8.00	TC	TC-040005000080
	52.00	5.00	WPC	WPC-040005200050
	52.00	6.00	TC	TC-040005200060
	52.00	7.00	TA2	TA2-040005200070
	52.00	7.00	SB2	SB2-040005200070
	52.00	7.00	TB2	TB2-040005200070
	52.00	7.00	SC	SC-040005200070
	52.00	7.00	TC	TC-040005200070
	52.00	8.00	SC	SC-040005200080
	52.00	8.00	TC	TC-040005200080
	52.00	9.00	SC	SC-040005200090
	52.00	9.00	TC	TC-040005200090
	54.00	5.00	VB	VB-040005400050
	54.00	7.00	SB2	SB2-040005400070
	54.00	7.00	TC	TC-040005400070
	55.00	5.00	VC	VC-040005500050
	55.00	6.00	TC	TC-040005500060
	55.00	7.00	SC	SC-040005500070
	55.00	7.00	TC	TC-040005500070
	55.00	8.00	SA2	SA2-040005500080
	55.00	8.00	TA2	TA2-040005500080
	55.00	8.00	VA2	VA2-040005500080
	55.00	8.00	KA2	KA2-040005500080
	55.00	8.00	SB2	SB2-040005500080
	55.00	8.00	TB2	TB2-040005500080
	55.00	8.00	VB2	VB2-040005500080
	55.00	8.00	KB2	KB2-040005500080

METRIC SIZE LIST



Metric Size List

Shaft Dia.	Bore Dia.	Seal Width	Seal Design	Seal Number
40.00	55.00	8.00	SC	SC-040005500080
	55.00	8.00	TC	TC-040005500080
	55.00	8.00	VC	VC-040005500080
	55.00	8.00	KC	KC-040005500080
	55.00	8.00	SBC	SBC-040005500080
	55.00	8.00	TBC	TBC-040005500080
	55.00	8.00	VBC	VBC-040005500080
	55.00	8.00	KBC	KBC-040005500080
	55.00	10.00	SB2	SB2-040005500100
	56.00	7.00	SB2	SB2-040005600070
	56.00	7.00	SC	SC-040005600070
	56.00	8.00	SB2	SB2-040005600080
	56.00	8.00	SC	SC-040005600080
	56.00	8.00	TC	TC-040005600080
	57.00	8.00	SB2	SB2-040005700080
	57.00	8.00	TC	TC-040005700080
	57.00	10.00	TC	TC-040005700100
	57.15	10.00	SC	SC-040005710100
	58.00	7.00	SC	SC-040005800070
	58.00	8.00	SB2	SB2-040005800080
	58.00	8.00	TC	TC-040005800080
	58.00	9.00	TC	TC-040005800090
	58.00	10.00	SC	SC-040005800100
	58.00	10.00	TC	TC-040005800100
	58.00	12.00	TC	TC-040005800120
	60.00	8.00	SB2	SB2-040006000080
	60.00	10.00	TB2	TB2-040006000100
	60.00	10.00	SC	SC-040006000100
	60.00	10.00	TC	TC-040006000100
	60.00	12.00	SC	SC-040006000120
	60.00	12.00	TC	TC-040006000120
	62.00	6.50	KC	KC-040006200065
	62.00	7.00	SC	SC-040006200070
	62.00	7.00	TC	TC-040006200070
	62.00	8.00	SA2	SA2-040006200080
	62.00	8.00	TA2	TA2-040006200080
	62.00	8.00	VA2	VA2-040006200080
	62.00	8.00	KA2	KA2-040006200080
	62.00	8.00	SB2	SB2-040006200080
	62.00	8.00	TB2	TB2-040006200080
	62.00	8.00	VB2	VB2-040006200080
	62.00	8.00	KB2	KB2-040006200080
	62.00	8.00	SC	SC-040006200080
	62.00	8.00	TC	TC-040006200080
	62.00	8.00	VC	VC-040006200080
	62.00	8.00	KC	KC-040006200080
	62.00	8.00	SBC	SBC-040006200080
	62.00	8.00	TBC	TBC-040006200080
	62.00	8.00	VBC	VBC-040006200080
	62.00	8.00	KBC	KBC-040006200080
	62.00	9.00	TC	TC-040006200090
	62.00	10.00	SC	SC-040006200100
	62.00	10.00	TC	TC-040006200100
	62.00	11.00	TC	TC-040006200110
	62.00	11.50	SC	SC-040006200115
	62.00	12.00	TC	TC-040006200120
	63.00	8.00	TC	TC-040006300080
	64.00	8.00	TC	TC-040006400080
	64.00	12.00	TC	TC-040006400120
	64.00	16.00	SBR	SBR-040006400160
	65.00	8.00	SB2	SB2-040006500080
	65.00	10.00	SC	SC-040006500100

Shaft Dia.	Bore Dia.	Seal Width	Seal Design	Seal Number
40.00	65.00	10.00	TC	TC-040006500100
	65.00	12.00	SC	SC-040006500120
	65.00	14.00	TC	TC-040006500140
	68.00	8.00	SB2	SB2-040006800080
	68.00	8.00	TC	TC-040006800080
	68.00	10.00	SC	SC-040006800100
	68.00	10.00	TC	TC-040006800100
	68.00	11.00	TC	TC-040006800110
	68.00	12.00	SC	SC-040006800120
	70.00	8.00	SB2	SB2-040007000080
	70.00	10.00	TC	TC-040007000100
	70.00	12.00	TC	TC-040007000120
	72.00	7.00	SC	SC-040007200070
	72.00	7.00	TC	TC-040007200070
	72.00	8.00	SB2	SB2-040007200080
	72.00	8.00	SC	SC-040007200080
	72.00	8.00	TC	TC-040007200080
	72.00	10.00	SC	SC-040007200100
	72.00	10.00	TC	TC-040007200100
	72.00	12.00	TC	TC-040007200120
	74.00	8.00	SB2	SB2-040007400080
	75.00	8.00	SB2	SB2-040007500080
	75.00	12.00	TC	TC-040007500120
	76.00	10.00	TC	TC-040007600100
	78.00	10.00	SC	SC-040007800100
	80.00	8.00	SB2	SB2-040008000080
	80.00	10.00	SC	SC-040008000100
	80.00	10.00	TC	TC-040008000100
	80.00	12.00	TC	TC-040008000120
	85.00	10.00	TC	TC-040008500100
	90.00	8.00	SB2	SB2-040009000080
41.00	46.00	4.00	KC	KC-041004600040
	51.00	5.00	KC	KC-041005100050
	53.00	7.00	SB2	SB2-041005300070
	53.00	7.00	TB2	TB2-041005300070
	55.00	8.00	SB2	SB2-041005500080
	56.00	7.00	TB2	TB2-041005600070
	56.00	7.00	SC	SC-041005600070
	56.00	7.00	TC	TC-041005600070
	62.00	8.00	SB2	SB2-041006200080
41.15	49.30	6.20	TB2	TB2-041104930062
42.00	50.00	7.00	TC	TC-042005000070
	51.00	7.00	TC	TC-042005100070
	52.00	4.00	WPC	WPC-042005200040
	52.00	7.00	SC	SC-042005200070
	52.00	7.00	TC	TC-042005200070
	52.00	8.00	SC	SC-042005200080
	52.00	8.00	TC	TC-042005200080
	52.50	7.00	DC	DC-042005250070
	54.00	7.00	TC	TC-042005400070
	55.00	6.00	VII	VII-042005500060
	55.00	7.00	SB2	SB2-042005500070
	55.00	7.00	SC	SC-042005500070
	55.00	7.00	TC	TC-042005500070
	55.00	7.50	SC	SC-042005500075
	55.00	8.00	SA2	SA2-042005500080
	55.00	8.00	TA2	TA2-042005500080
	55.00	8.00	VA2	VA2-042005500080
	55.00	8.00	KA2	KA2-042005500080
	55.00	8.00	SB2	SB2-042005500080
	55.00	8.00	TB2	TB2-042005500080
	55.00	8.00	VB2	VB2-042005500080

Metric Size List

Shaft Dia.	Bore Dia.	Seal Width	Seal Design	Seal Number
42.00	55.00	8.00	KB2	KB2-042005500080
	55.00	8.00	SC	SC-042005500080
	55.00	8.00	TC	TC-042005500080
	55.00	8.00	VC	VC-042005500080
	55.00	8.00	KC	KC-042005500080
	55.00	8.00	SBC	SBC-042005500080
	55.00	8.00	TBC	TBC-042005500080
	55.00	8.00	VBC	VBC-042005500080
	55.00	8.00	KBC	KBC-042005500080
	55.00	9.00	TC	TC-042005500090
	56.00	7.00	SB2	SB2-042005600070
	56.00	7.00	SC	SC-042005600070
	56.00	7.00	TC	TC-042005600070
	56.00	8.00	SB2	SB2-042005600080
	56.00	9.00	TC	TC-042005600090
	56.20	7.00	KC	KC-042005620070
	58.00	7.00	KB2	KB2-042005800070
	58.00	8.00	SB2	SB2-042005800080
	58.00	8.00	TB2	TB2-042005800080
	58.00	8.00	TC	TC-042005800080
	58.00	8.00	KC	KC-042005800080
	58.00	10.00	SC	SC-042005800100
	58.00	10.00	TC	TC-042005800100
	60.00	7.00	SC	SC-042006000070
	60.00	7.00	TC	TC-042006000070
	60.00	8.00	SB2	SB2-042006000080
	60.00	9.00	TC	TC-042006000090
	60.00	10.00	SC	SC-042006000100
	60.00	10.00	TC	TC-042006000100
	62.00	7.00	SC	SC-042006200070
	62.00	7.00	TC	TC-042006200070
	62.00	8.00	SA2	SA2-042006200080
	62.00	8.00	TA2	TA2-042006200080
	62.00	8.00	VA2	VA2-042006200080
	62.00	8.00	KA2	KA2-042006200080
	62.00	8.00	SB2	SB2-042006200080
	62.00	8.00	TB2	TB2-042006200080
	62.00	8.00	VB2	VB2-042006200080
	62.00	8.00	KB2	KB2-042006200080
	62.00	8.00	SC	SC-042006200080
	62.00	8.00	TC	TC-042006200080
	62.00	8.00	VC	VC-042006200080
	62.00	8.00	KC	KC-042006200080
	62.00	8.00	SBC	SBC-042006200080
	62.00	8.00	TBC	TBC-042006200080
	62.00	8.00	VBC	VBC-042006200080
	62.00	8.00	KBC	KBC-042006200080
	62.00	10.00	SB2	SB2-042006200100
	62.00	10.00	SC	SC-042006200100
	62.00	10.00	TC	TC-042006200100
	62.00	12.00	TC	TC-042006200120
	64.00	6.00	KB2	KB2-042006400060
	65.00	8.00	SB2	SB2-042006500080
	65.00	10.00	SC	SC-042006500100
	65.00	10.00	TC	TC-042006500100
	65.00	12.00	TC	TC-042006500120
	66.00	10.00	SC	SC-042006600100
	67.00	10.00	TC	TC-042006700100
	68.00	10.00	SC	SC-042006800100
	68.00	10.00	TC	TC-042006800100
	70.00	8.00	TC	TC-042007000080
	70.00	10.00	SC	SC-042007000100

Shaft Dia.	Bore Dia.	Seal Width	Seal Design	Seal Number
42.00	70.00	10.00	TC	TC-042007000100
	72.00	8.00	SB2	SB2-042007200080
	72.00	8.00	SC	SC-042007200080
	72.00	8.00	TC	TC-042007200080
	72.00	10.00	SC	SC-042007200100
	72.00	10.00	TC	TC-042007200100
	72.00	12.00	TB2	TB2-042007200120
	72.00	12.00	TC	TC-042007200120
	72.50	12.00	TC	TC-042007250120
	75.00	10.00	TC	TC-042007500100
	76.00	10.00	TC	TC-042007600100
	78.00	8.00	TC	TC-042007800080
	80.00	8.00	TC	TC-042008000080
	80.00	10.00	SC	SC-042008000100
43.00	54.00	7.50	TB2	TB2-043005400075
	54.00	7.50	TB	TB-043005400075
	54.00	7.50	TC	TC-043005400075
	55.00	7.00	SC	SC-043005500070
	55.00	8.00	KC	KC-043005500080
	57.00	8.00	SB2	SB2-043005700080
	60.00	8.00	SB2	SB2-043006000080
	60.00	10.00	SC	SC-043006000100
	62.00	8.00	TC	TC-043006200080
	62.00	10.00	SA2	SA2-043006200100
	69.00	8.00	SB2	SB2-043006900080
	73.00	8.00	SB2	SB2-043007300080
44.00	54.00	6.00	TBR	TBR-044005400060
	58.00	8.00	TB2	TB2-044005800080
	60.00	7.00	TC	TC-044006000070
	60.00	8.00	SB2	SB2-044006000080
	60.00	9.00	TC	TC-044006000090
	60.00	10.00	SC	SC-044006000100
	62.00	8.00	SB2	SB2-044006200080
	62.00	8.00	TC	TC-044006200080
	62.00	9.00	KC	KC-044006200090
	62.00	10.00	SC	SC-044006200100
	65.00	8.00	SB2	SB2-044006500080
	65.00	10.00	SC	SC-044006500100
	65.00	11.00	TC	TC-044006500110
	68.00	8.00	SB2	SB2-044006800080
	68.00	12.80	SC	SC-044006800128
	70.00	8.00	SB2	SB2-044007000080
	70.00	8.00	TC	TC-044007000080
	72.00	8.00	SB2	SB2-044007200080
	72.00	10.00	SC	SC-044007200100
44.50	62.00	10.00	TC	TC-044506200100
45.00	52.00	4.00	TC	TC-045005200040
	52.00	4.00	WPC	WPC-045005200040
	54.00	4.50	SC	SC-045005400045
	55.00	4.00	WPC	WPC-045005500040
	55.00	7.00	TC	TC-045005500070
	56.00	6.00	TC	TC-045005600060
	57.00	5.50	TC	TC-045005700055
	58.00	5.00	SC	SC-045005800050
	58.00	7.00	SC	SC-045005800070
	58.00	7.00	TC	TC-045005800070
	58.00	8.00	TC	TC-045005800080
	58.00	9.00	TB2	TB2-045005800090
	60.00	7.00	SC	SC-045006000070
	60.00	7.00	TC	TC-045006000070
	60.00	8.00	SB2	SB2-045006000080
	60.00	8.00	SC	SC-045006000080

METRIC SIZE LIST



Metric Size List

Shaft Dia.	Bore Dia.	Seal Width	Seal Design	Seal Number	Shaft Dia.	Bore Dia.	Seal Width	Seal Design	Seal Number
45.00	60.00	8.00	TC	TC-045006000080	45.00	68.00	10.00	TC	TC-045006800100
	60.00	9.00	TC	TC-045006000090		68.00	12.00	TC	TC-045006800120
	60.00	10.00	SC	SC-045006000100		70.00	8.00	SB2	SB2-045007000080
	60.00	10.00	TC	TC-045006000100		70.00	9.00	TC	TC-045007000090
	60.00	12.00	TC	TC-045006000120		70.00	10.00	TB2	TB2-045007000100
	62.00	7.00	TB2	TB2-045006200070		70.00	10.00	TC	TC-045007000100
	62.00	7.00	SC	SC-045006200070		70.00	12.00	TC	TC-045007000120
	62.00	8.00	SA2	SA2-045006200080		72.00	7.00	SC	SC-045007200070
	62.00	8.00	TA2	TA2-045006200080		72.00	8.00	SB2	SB2-045007200080
	62.00	8.00	VA2	VA2-045006200080		72.00	8.00	SC	SC-045007200080
	62.00	8.00	KA2	KA2-045006200080		72.00	8.00	TC	TC-045007200080
	62.00	8.00	SB2	SB2-045006200080		72.00	10.00	SC	SC-045007200100
	62.00	8.00	TB2	TB2-045006200080		72.00	10.00	TC	TC-045007200100
	62.00	8.00	VB2	VB2-045006200080		72.00	12.00	TC	TC-045007200120
	62.00	8.00	KB2	KB2-045006200080		75.00	7.00	TC	TC-045007500070
	62.00	8.00	SC	SC-045006200080		75.00	8.00	SB2	SB2-045007500080
	62.00	8.00	TC	TC-045006200080		75.00	8.00	TC	TC-045007500080
	62.00	8.00	VC	VC-045006200080		75.00	10.00	SC	SC-045007500100
	62.00	8.00	KC	KC-045006200080		75.00	12.00	TC	TC-045007500120
	62.00	8.00	SBC	SBC-045006200080		78.00	10.00	SC	SC-045007800100
	62.00	8.00	TBC	TBC-045006200080		78.00	10.00	TC	TC-045007800100
	62.00	8.00	VBC	VBC-045006200080		78.00	12.00	TC	TC-045007800120
	62.00	8.00	KBC	KBC-045006200080		80.00	8.00	SB2	SB2-045008000080
	62.00	9.00	TB2	TB2-045006200090		80.00	10.00	SC	SC-045008000100
	62.00	9.00	TC	TC-045006200090		80.00	10.00	TC	TC-045008000100
	62.00	10.00	TA2	TA2-045006200100		80.00	13.00	TC	TC-045008000130
	62.00	10.00	SC	SC-045006200100		85.00	8.00	SB2	SB2-045008500080
	62.00	10.00	TC	TC-045006200100		85.00	10.00	SC	SC-045008500100
	62.00	11.00	DC	DC-045006200110		90.00	10.00	TC	TC-045009000100
	62.00	12.00	SC	SC-045006200120		95.00	10.00	TC	TC-045009500100
	62.00	12.00	TC	TC-045006200120	46.00	25.00	10.00	SC	SC-046002500100
	63.00	7.00	TB2	TB2-045006300070		60.00	8.00	SB2	SB2-046006000080
	64.00	10.00	TC	TC-045006400100		62.00	8.00	SC	SC-046006200080
	65.00	5.00	TC	TC-045006500050		65.00	8.00	SB2	SB2-046006500080
	65.00	5.00	VII	VII-045006500050		68.00	8.00	SB2	SB2-046006800080
	65.00	8.00	SA2	SA2-045006500080		72.00	8.00	SB2	SB2-046007200080
	65.00	8.00	TA2	TA2-045006500080		73.00	8.00	SB2	SB2-046007300080
	65.00	8.00	VA2	VA2-045006500080	47.00	58.00	7.00	TC	TC-047005800070
	65.00	8.00	KA2	KA2-045006500080		58.00	8.00	TC	TC-047005800080
	65.00	8.00	SB2	SB2-045006500080		60.00	7.00	SB2	SB2-047006000070
	65.00	8.00	TB2	TB2-045006500080		60.00	7.00	TC	TC-047006000070
	65.00	8.00	VB2	VB2-045006500080		60.00	8.00	TC	TC-047006000080
	65.00	8.00	KB2	KB2-045006500080		62.00	8.00	SB2	SB2-047006200080
	65.00	8.00	SC	SC-045006500080		65.00	10.00	SC	SC-047006500100
	65.00	8.00	TC	TC-045006500080		68.00	16.00	TC	TC-047006800160
	65.00	8.00	VC	VC-045006500080		70.00	10.00	TC	TC-047007000100
	65.00	8.00	KC	KC-045006500080		72.00	8.00	SB2	SB2-047007200080
	65.00	8.00	SBC	SBC-045006500080	47.50	70.65	9.00	XC	XC-047507060090
	65.00	8.00	TBC	TBC-045006500080	48.00	58.00	4.00	VC	VC-048005800040
	65.00	8.00	VBC	VBC-045006500080		58.00	4.00	WPC	WPC-048005800040
	65.00	8.00	KBC	KBC-045006500080		60.00	10.00	TC	TC-048006000100
	65.00	10.00	SC	SC-045006500100		62.00	6.00	TC	TC-048006200060
	65.00	10.00	TC	TC-045006500100		62.00	6.00	KC	KC-048006200060
	65.00	12.00	TC	TC-045006500120		62.00	7.00	TA2	TA2-048006200070
	67.00	8.00	TC	TC-045006700080		62.00	7.00	TB2	TB2-048006200070
	67.00	10.00	TC	TC-045006700100		62.00	7.00	TC	TC-048006200070
	68.00	7.00	TC	TC-045006800070		62.00	8.00	SC	SC-048006200080
	68.00	8.00	SB2	SB2-045006800080		62.00	8.00	TC	TC-048006200080
	68.00	8.00	TB2	TB2-045006800080		62.00	9.00	XB2	XB2-048006200090
	68.00	8.00	SC	SC-045006800080		62.00	10.00	TC	TC-048006200100
	68.00	9.00	TC	TC-045006800090		63.00	11.00	TC	TC-048006300110
	68.00	10.00	SC	SC-045006800100		63.50	9.00	TC	TC-048006350090

Metric Size List

Shaft Dia.	Bore Dia.	Seal Width	Seal Design	Seal Number
48.00	65.00	8.00	SB2	SB2-048006500080
	65.00	9.00	TC	TC-048006500090
	65.00	10.00	SC	SC-048006500100
	65.00	10.00	TC	TC-048006500100
	65.00	12.00	SC	SC-048006500120
	68.00	8.00	SB2	SB2-048006800080
	68.00	10.00	SC	SC-048006800100
	68.00	10.00	TC	TC-048006800100
	70.00	8.00	SB2	SB2-048007000080
	70.00	9.00	TB2	TB2-048007000090
	70.00	9.00	TC	TC-048007000090
	70.00	9.50	XB2	XB2-048007000095
	70.00	10.00	TC	TC-048007000100
	70.00	12.00	TC	TC-048007000120
	70.60	9.00	TC	TC-048007060090
	72.00	7.00	TC	TC-048007200070
	72.00	8.00	SB2	SB2-048007200080
	72.00	8.00	SC	SC-048007200080
	72.00	9.00	TC	TC-048007200090
	72.00	10.00	SC	SC-048007200100
	72.00	10.00	TC	TC-048007200100
	72.00	11.00	DC	DC-048007200110
	72.00	12.00	TC	TC-048007200120
	74.00	10.00	TC	TC-048007400100
	75.00	8.00	SC	SC-048007500080
	80.00	8.00	SB2	SB2-048008000080
	80.00	10.00	TC	TC-048008000100
	80.00	13.00	TC	TC-048008000130
	82.00	8.00	TB2	TB2-048008200080
	90.00	8.00	SB2	SB2-048009000080
	90.00	10.00	SC	SC-048009000100
	90.00	10.00	TC	TC-048009000100
	49.00	68.00	7.00	TC
50.00	58.00	4.00	VB	VB-050005800040
	58.00	4.00	WPC	WPC-050005800040
	60.00	8.00	TC	TC-050006000080
	62.00	5.00	WPC	WPC-050006200050
	62.00	7.00	SC	SC-050006200070
	62.00	7.00	SB2	SB2-050006200070
	62.00	7.00	TC	TC-050006200070
	62.00	8.00	TC	TC-050006200080
	62.00	9.00	TB2	TB2-050006200090
	62.00	10.00	SB2	SB2-050006200100
	62.00	10.00	TC	TC-050006200100
	63.00	7.00	TC	TC-050006300070
	64.00	6.50	TC	TC-050006400065
	64.00	10.00	TC	TC-050006400100
	65.00	8.00	SB2	SB2-050006500080
	65.00	8.00	SC	SC-050006500080
	65.00	8.00	TC	TC-050006500080
	65.00	9.00	TB2	TB2-050006500090
	65.00	9.00	TB	TB-050006500090
	65.00	9.00	TC	TC-050006500090
	65.00	10.00	TB2	TB2-050006500100
	65.00	10.00	SC	SC-050006500100
	65.00	10.00	TC	TC-050006500100
	65.30	8.00	TC	TC-050006530080
	66.00	8.00	SC	SC-050006600080
	68.00	6.50	TC	TC-050006800065
	68.00	7.00	TC	TC-050006800070
	68.00	8.00	SA2	SA2-050006800080
	68.00	8.00	TA2	TA2-050006800080

Shaft Dia.	Bore Dia.	Seal Width	Seal Design	Seal Number
50.00	68.00	8.00	VA2	VA2-050006800080
	68.00	8.00	KA2	KA2-050006800080
	68.00	8.00	SB2	SB2-050006800080
	68.00	8.00	TB2	TB2-050006800080
	68.00	8.00	VB2	VB2-050006800080
	68.00	8.00	KB2	KB2-050006800080
	68.00	8.00	SC	SC-050006800080
	68.00	8.00	TC	TC-050006800080
	68.00	8.00	VC	VC-050006800080
	68.00	8.00	KC	KC-050006800080
	68.00	8.00	SBC	SBC-050006800080
	68.00	8.00	TBC	TBC-050006800080
	68.00	8.00	VBC	VBC-050006800080
	68.00	8.00	KBC	KBC-050006800080
	68.00	9.00	TA2	TA2-050006800090
	68.00	9.00	SC	SC-050006800090
	68.00	9.00	TC	TC-050006800090
	68.00	10.00	SC	SC-050006800100
	68.00	10.00	TC	TC-050006800100
	70.00	8.00	SB2	SB2-050007000080
	70.00	8.25	TBR	TBR-050007000082
	70.00	9.00	SB2	SB2-050007000090
	70.00	9.00	TC	TC-050007000090
	70.00	9.50	TBR	TBR-050007000095
	70.00	10.00	SC	SC-050007000100
	70.00	10.00	TC	TC-050007000100
	70.00	10.00	SB2	SB2-050007000100
	72.00	8.00	SA2	SA2-050007200080
	72.00	8.00	TA2	TA2-050007200080
	72.00	8.00	VA2	VA2-050007200080
	72.00	8.00	KA2	KA2-050007200080
	72.00	8.00	SB2	SB2-050007200080
	72.00	8.00	TB2	TB2-050007200080
	72.00	8.00	VB2	VB2-050007200080
	72.00	8.00	KB2	KB2-050007200080
	72.00	8.00	SC	SC-050007200080
	72.00	8.00	TC	TC-050007200080
	72.00	8.00	VC	VC-050007200080
	72.00	8.00	KC	KC-050007200080
	72.00	8.00	SBC	SBC-050007200080
	72.00	8.00	TBC	TBC-050007200080
	72.00	8.00	VBC	VBC-050007200080
	72.00	8.00	KBC	KBC-050007200080
	72.00	9.00	SC	SC-050007200090
	72.00	9.00	TC	TC-050007200090
	72.00	10.00	SC	SC-050007200100
	72.00	10.00	TC	TC-050007200100
72.00	12.00	SC	SC-050007200120	
72.00	12.00	TC	TC-050007200120	
73.00	9.00	TC	TC-050007300090	
73.00	10.00	TC	TC-050007300100	
74.00	8.00	SC	SC-050007400080	
75.00	8.00	TB2	TB2-050007500080	
75.00	8.00	TC	TC-050007500080	
75.00	9.20	TB2	TB2-050007500092	
75.00	10.00	SC	SC-050007500100	
75.00	10.00	TC	TC-050007500100	
75.00	12.00	TC	TC-050007500120	
76.00	10.00	TC	TC-050007600100	
78.00	8.00	TB2	TB2-050007800080	
78.00	12.00	TC	TC-050007800120	
80.00	8.00	SB2	SB2-050008000080	



Metric Size List

Shaft Dia.	Bore Dia.	Seal Width	Seal Design	Seal Number	Shaft Dia.	Bore Dia.	Seal Width	Seal Design	Seal Number	
50.00	80.00	8.00	SC	SC-050008000080	52.00	76.00	10.00	TC	TC-052007600100	
	80.00	8.00	TC	TC-050008000080		80.00	10.00	SC	SC-052008000100	
	80.00	10.00	SC	SC-050008000100		80.00	10.00	TC	TC-052008000100	
	80.00	10.00	TC	TC-050008000100		85.00	8.00	SB2	SB2-052008500080	
	80.00	12.00	TC	TC-050008000120		85.00	10.00	SC	SC-052008500100	
	80.00	13.00	SC	SC-050008000130		85.00	10.00	TC	TC-052008500100	
	80.00	13.00	TC	TC-050008000130		53.00	68.00	8.00	SB2	SB2-053006800080
	82.00	8.00	TB2	TB2-050008200080			68.00	10.00	SC	SC-053006800100
	82.00	8.00	TC	TC-050008200080			68.20	7.00	TC	TC-053006820070
	82.00	10.00	TC	TC-050008200100		54.00	65.00	8.00	SB2	SB2-054006500080
	82.00	12.00	TC	TC-050008200120			65.00	10.00	TC	TC-054006500100
	85.00	8.00	SB2	SB2-050008500080			65.00	13.00	TB2	TB2-054006500130
	85.00	9.00	TC	TC-050008500090			68.00	8.00	SB2	SB2-054006800080
	85.00	10.00	SC	SC-050008500100			70.00	8.00	TC	TC-054007000080
	85.00	10.00	TC	TC-050008500100			72.00	10.00	TB2	TB2-054007200100
	85.00	13.00	SA2	SA2-050008500130			72.00	10.00	TC	TC-054007200100
	85.00	13.00	TC	TC-050008500130			72.50	9.00	TB2	TB2-054007250090
	87.00	11.00	TC	TC-050008700110			73.00	10.00	TC	TC-054007300100
	90.00	8.00	SB2	SB2-050009000080			73.00	11.13	SB2	SB2-054007300111
	90.00	8.00	TC	TC-050009000080			73.00	11.13	TB2	TB2-054007300111
	90.00	10.00	SC	SC-050009000100			76.00	8.00	TC	TC-054007600080
	90.00	10.00	TC	TC-050009000100			80.00	10.00	SA2	SA2-054008000100
	50.50	62.50	9.00	KC			KC-050506250090	81.00	9.53	TB2
51.00	65.00	7.00	TA2	TA2-051006500070	81.00		10.00	TC	TC-054008100100	
	65.00	7.00	TB2	TB2-051006500070	82.00		10.00	TC	TC-054008200100	
	72.00	10.00	SC	SC-051007200100	85.00		10.00	SC	SC-054008500100	
	73.00	8.00	SB2	SB2-051007300080	85.00	10.00	TC	TC-054008500100		
	73.00	8.00	TB2	TB2-051007300080	55.00	68.00	8.00	SC	SC-055006800080	
	80.00	9.53	SB2	SB2-051008000095		68.00	8.00	TC	TC-055006800080	
	81.00	9.53	SA2	SA2-051008100095		68.00	8.50	XC	XC-055006800085	
	81.00	9.53	TA2	TA2-051008100095		70.00	8.00	SB2	SB2-055007000080	
	90.00	11.13	SA2	SA2-051009000111		70.00	8.00	SC	SC-055007000080	
	92.00	11.13	SA2	SA2-051009200111		70.00	8.00	TC	TC-055007000080	
	52.00	63.00	8.00	SC		SC-052006300080	70.00	8.00	TC	TC-055007000080
63.00		8.00	TC	TC-052006300080		70.00	9.00	TC	TC-055007000090	
65.00		9.00	SB2	SB2-052006500090		70.00	10.00	SC	SC-055007000100	
65.00		9.00	TB2	TB2-052006500090		70.00	10.00	TC	TC-055007000100	
65.00		9.00	TC	TC-052006500090		72.00	8.00	SA2	SA2-055007200080	
66.00		9.00	SC	SC-052006600090		72.00	8.00	TA2	TA2-055007200080	
68.00		8.00	SB2	SB2-052006800080		72.00	8.00	VA2	VA2-055007200080	
68.00		8.00	SC	SC-052006800080		72.00	8.00	KA2	KA2-055007200080	
68.00		8.00	TC	TC-052006800080		72.00	8.00	SB2	SB2-055007200080	
68.00		10.00	SC	SC-052006800100		72.00	8.00	TB2	TB2-055007200080	
68.00		10.00	TC	TC-052006800100		72.00	8.00	VB2	VB2-055007200080	
68.00		13.50	TB2	TB2-052006800135		72.00	8.00	KB2	KB2-055007200080	
69.00		10.00	SC	SC-052006900100		72.00	8.00	SC	SC-055007200080	
70.00		8.00	SB2	SB2-052007000080	72.00	8.00	TC	TC-055007200080		
70.00		9.00	TBR	TBR-052007000090	72.00	8.00	VC	VC-055007200080		
70.00		9.00	TC	TC-052007000090	72.00	8.00	KC	KC-055007200080		
72.00		7.50	TB2	TB2-052007200075	72.00	8.00	SBC	SBC-055007200080		
72.00		8.00	SB2	SB2-052007200080	72.00	8.00	TBC	TBC-055007200080		
72.00		8.00	TB2	TB2-052007200080	72.00	8.00	VBC	VBC-055007200080		
72.00		8.00	SC	SC-052007200080	72.00	8.00	KBC	KBC-055007200080		
72.00		8.00	TC	TC-052007200080	72.00	9.00	TB2	TB2-055007200090		
72.00		9.00	SC	SC-052007200090	72.00	9.00	TC	TC-055007200090		
72.00		9.00	TC	TC-052007200090	72.00	10.00	SC	SC-055007200100		
72.00		10.00	SC	SC-052007200100	72.00	10.00	TC	TC-055007200100		
72.00		10.00	TC	TC-052007200100	73.00	8.00	SB2	SB2-055007300080		
72.00		12.00	SC	SC-052007200120	73.00	10.00	TB2	TB2-055007300100		
72.00		12.00	TC	TC-052007200120	73.43	8.00	TG	TG-055007340080		
75.00		12.00	SC	SC-052007500120	75.00	8.00	SB2	SB2-055007500080		
75.00		12.00	TC	TC-052007500120	75.00	8.00	TB2	TB2-055007500080		

Metric Size List

Shaft Dia.	Bore Dia.	Seal Width	Seal Design	Seal Number
55.00	75.00	8.00	SC	SC-055007500080
	75.00	8.00	TC	TC-055007500080
	75.00	9.00	TC	TC-055007500090
	75.00	10.00	SC	SC-055007500100
	75.00	10.00	TC	TC-055007500100
	75.00	12.00	SC	SC-055007500120
	75.00	12.00	TC	TC-055007500120
	76.00	10.00	TC	TC-055007600100
	78.00	10.00	SC	SC-055007800100
	78.00	11.00	TC	TC-055007800110
	78.00	12.00	TC	TC-055007800120
	80.00	8.00	SA2	SA2-055008000080
	80.00	8.00	TA2	TA2-055008000080
	80.00	8.00	VA2	VA2-055008000080
	80.00	8.00	KA2	KA2-055008000080
	80.00	8.00	SB2	SB2-055008000080
	80.00	8.00	TB2	TB2-055008000080
	80.00	8.00	VB2	VB2-055008000080
	80.00	8.00	KB2	KB2-055008000080
	80.00	8.00	SC	SC-055008000080
	80.00	8.00	TC	TC-055008000080
	80.00	8.00	VC	VC-055008000080
	80.00	8.00	KC	KC-055008000080
	80.00	8.00	SBC	SBC-055008000080
	80.00	8.00	TBC	TBC-055008000080
	80.00	8.00	VBC	VBC-055008000080
	80.00	8.00	KBC	KBC-055008000080
	80.00	10.00	TA2	TA2-055008000100
	80.00	10.00	SC	SC-055008000100
	80.00	10.00	TC	TC-055008000100
	80.00	12.00	SC	SC-055008000120
	80.00	12.00	TC	TC-055008000120
	80.00	13.00	SC	SC-055008000130
	80.00	13.00	TC	TC-055008000130
	82.00	10.00	WPB	WPB-055008200100
	82.00	12.00	SC	SC-055008200120
	85.00	8.00	SB2	SB2-055008500080
	85.00	8.00	SC	SC-055008500080
	85.00	10.00	SC	SC-055008500100
	85.00	14.00	SC	SC-055008500140
	90.00	8.00	SB2	SB2-055009000080
	90.00	8.00	TC	TC-055009000080
	90.00	10.00	SC	SC-055009000100
	90.00	10.00	TC	TC-055009000100
	90.00	13.00	SC	SC-055009000130
	92.00	8.00	TC	TC-055009200080
	100.00	8.00	SB2	SB2-055010000080
100.00	10.00	TC	TC-055010000100	
100.00	12.00	SC	SC-055010000120	
100.00	12.00	TC	TC-055010000120	
56.00	69.00	10.00	TC	TC-056006900100
	70.00	8.00	SC	SC-056007000080
	70.00	8.00	TC	TC-056007000080
	70.00	9.00	TC	TC-056007000090
	72.00	8.00	SC	SC-056007200080
	72.00	8.00	TC	TC-056007200080
	73.15	10.00	TC	TC-056007310100
	75.00	8.00	SB2	SB2-056007500080
	75.00	10.00	TC	TC-056007500100
	80.00	8.00	SC	SC-056008000080
	82.00	8.00	TB2	TB2-056008200080
	82.00	8.00	TC	TC-056008200080

Shaft Dia.	Bore Dia.	Seal Width	Seal Design	Seal Number
56.00	85.00	8.00	SC	SC-056008500080
	57.00	67.00	7.00	TC
72.00		10.00	SA2	SA2-057007200100
81.00		11.00	SB2	SB2-057008100110
81.00		11.00	TB2	TB2-057008100110
85.00		12.00	TC	TC-057008500120
85.00		13.00	TC	TC-057008500130
92.00		11.00	SA2	SA2-057009200110
92.00		11.00	TA2	TA2-057009200110
110.00		9.50	SB2	SB2-057011000095
57.15		75.00	9.50	SC
58.00	82.55	12.70	TA2	TA2-057108250127
	72.00	8.00	SC	SC-058007200080
58.00	72.00	9.00	TC	TC-058007200090
	74.00	9.00	TC	TC-058007400090
	74.00	12.00	TC	TC-058007400120
	75.00	8.00	TC	TC-058007500080
	75.00	9.00	TC	TC-058007500090
	75.00	11.00	SC	SC-058007500110
	75.00	12.00	TB2	TB2-058007500120
	75.00	12.00	SC	SC-058007500120
	75.00	15.00	TB2	TB2-058007500150
	80.00	8.00	SB2	SB2-058008000080
	80.00	8.00	SC	SC-058008000080
	80.00	10.00	SC	SC-058008000100
	80.00	10.00	TC	TC-058008000100
	80.00	12.00	SC	SC-058008000120
	80.00	12.00	TC	TC-058008000120
	80.00	13.00	TC	TC-058008000130
	82.00	8.00	TC	TC-058008200080
	84.00	12.00	TC	TC-058008400120
	85.00	8.00	SB2	SB2-058008500080
	85.00	10.00	SC	SC-058008500100
	85.00	12.00	TC	TC-058008500120
	85.00	13.00	SA2	SA2-058008500130
	90.00	8.00	SB2	SB2-058009000080
	90.00	10.00	SC	SC-058009000100
	102.00	10.00	TC	TC-058010200100
	102.00	13.00	TC	TC-058010200130
	59.00	72.00	12.30	TC
75.00		10.00	TB2	TB2-059007500100
60.00	70.00	7.00	SB2	SB2-060007000070
	72.00	8.00	SC	SC-060007200080
	72.00	10.00	TC	TC-060007200100
	72.00	12.00	TB2	TB2-060007200120
	75.00	8.00	SB2	SB2-060007500080
	75.00	8.00	SC	SC-060007500080
	75.00	8.00	TC	TC-060007500080
	75.00	9.00	SC	SC-060007500090
	75.00	9.00	TC	TC-060007500090
	75.00	10.00	TC	TC-060007500100
	76.00	10.00	TC	TC-060007600100
	77.00	12.00	TC	TC-060007700120
	78.00	7.30	SC	SC-060007800073
	78.00	9.00	SB2	SB2-060007800090
	78.00	9.00	TC	TC-060007800090
	80.00	8.00	SA2	SA2-060008000080
	80.00	8.00	TA2	TA2-060008000080
80.00	8.00	VA2	VA2-060008000080	
80.00	8.00	KA2	KA2-060008000080	
80.00	8.00	SB2	SB2-060008000080	
80.00	8.00	TB2	TB2-060008000080	

Metric Size List

Shaft Dia.	Bore Dia.	Seal Width	Seal Design	Seal Number	Shaft Dia.	Bore Dia.	Seal Width	Seal Design	Seal Number
60.00	80.00	8.00	VB2	VB2-060008000080	62.00	80.00	10.00	SC	SC-062008000100
	80.00	8.00	KB2	KB2-060008000080		80.00	10.00	TC	TC-062008000100
	80.00	8.00	SC	SC-060008000080		80.00	10.80	TC	TC-062008000108
	80.00	8.00	TC	TC-060008000080		85.00	8.00	SB2	SB2-062008500080
	80.00	8.00	VC	VC-060008000080		85.00	10.00	TA2	TA2-062008500100
	80.00	8.00	KC	KC-060008000080		85.00	10.00	SC	SC-062008500100
	80.00	8.00	SBC	SBC-060008000080		85.00	10.00	TC	TC-062008500100
	80.00	8.00	TBC	TBC-060008000080		85.00	12.00	SC	SC-062008500120
	80.00	8.00	VBC	VBC-060008000080		90.00	11.13	SA2	SA2-062009000111
	80.00	8.00	KBC	KBC-060008000080		88.00	8.00	TB2	TB2-062008800080
	80.00	8.50	TC	TC-060008000085		90.00	8.00	SB2	SB2-062009000080
	80.00	10.00	TA2	TA2-060008000100		90.00	10.00	SC	SC-062009000100
	80.00	10.00	SC	SC-060008000100		90.00	10.00	TC	TC-062009000100
	80.00	10.00	TC	TC-060008000100		93.00	12.00	TC	TC-062009300120
	80.00	12.00	TC	TC-060008000120		100.00	10.00	TB2	TB2-062010000100
	80.00	13.00	SC	SC-060008000130		100.00	10.00	TC	TC-062010000100
	80.00	13.00	TC	TC-060008000130		100.00	12.00	SC	SC-062010000120
	82.00	7.00	KC	KC-060008200070	63.00	78.00	8.00	SB2	SB2-063007800080
	82.00	8.00	TB2	TB2-060008200080		80.00	7.70	TB2	TB2-063008000077
	82.00	9.00	TC	TC-060008200090		80.00	8.00	SB2	SB2-063008000080
	82.00	12.00	TC	TC-060008200120		80.00	8.00	TC	TC-063008000080
	85.00	8.00	SA2	SA2-060008500080		80.00	9.00	TC	TC-063008000090
	85.00	8.00	TA2	TA2-060008500080		80.00	12.00	TC	TC-063008000120
	85.00	8.00	VA2	VA2-060008500080		85.00	8.00	SB2	SB2-063008500080
	85.00	8.00	KA2	KA2-060008500080		85.00	10.00	SC	SC-063008500100
	85.00	8.00	SB2	SB2-060008500080		88.00	8.00	SB2	SB2-063008800080
	85.00	8.00	TB2	TB2-060008500080		90.00	8.00	SB2	SB2-063009000080
	85.00	8.00	VB2	VB2-060008500080		90.00	10.00	SC	SC-063009000100
	85.00	8.00	KB2	KB2-060008500080	64.00	80.00	8.00	SC	SC-064008000080
	85.00	8.00	SC	SC-060008500080		80.00	8.00	TC	TC-064008000080
	85.00	8.00	TC	TC-060008500080		85.00	12.00	TC	TC-064008500120
	85.00	8.00	VC	VC-060008500080		90.00	13.00	TC	TC-064009000130
	85.00	8.00	KC	KC-060008500080	65.00	80.00	8.00	SB2	SB2-065008000080
	85.00	8.00	SBC	SBC-060008500080		80.00	8.00	SC	SC-065008000080
	85.00	8.00	TBC	TBC-060008500080		80.00	8.00	SC	SC-065008000080
	85.00	8.00	VBC	VBC-060008500080		80.00	8.00	TC	TC-065008000080
	85.00	8.00	KBC	KBC-060008500080		80.00	10.00	TC	TC-065008000100
	85.00	10.00	SC	SC-060008500100		82.00	10.00	SC	SC-065008200100
	85.00	10.00	TC	TC-060008500100		85.00	8.00	SB2	SB2-065008500080
	85.00	12.00	SC	SC-060008500120		85.00	10.00	SA2	SA2-065008500100
	85.00	13.00	TC	TC-060008500130		85.00	10.00	TA2	TA2-065008500100
	90.00	8.00	SB2	SB2-060009000080		85.00	10.00	VA2	VA2-065008500100
	90.00	8.00	SC	SC-060009000080		85.00	10.00	KA2	KA2-065008500100
	90.00	8.00	TC	TC-060009000080		85.00	10.00	SB2	SB2-065008500100
	90.00	10.00	SA2	SA2-060009000100		85.00	10.00	TB2	TB2-065008500100
	90.00	10.00	SC	SC-060009000100		85.00	10.00	VB2	VB2-065008500100
	90.00	11.00	TC	TC-060009000110		85.00	10.00	KB2	KB2-065008500100
	90.00	14.00	SC	SC-060009000140		85.00	10.00	SC	SC-065008500100
	92.00	10.00	TC	TC-060009200100		85.00	10.00	TC	TC-065008500100
	95.00	8.00	TC	TC-060009500080		85.00	10.00	VC	VC-065008500100
	95.00	10.00	SB2	SB2-060009500100		85.00	10.00	KC	KC-065008500100
	95.00	10.00	TC	TC-060009500100		85.00	10.00	SBC	SBC-065008500100
	100.00	10.00	SC	SC-060010000100		85.00	10.00	TBC	TBC-065008500100
	100.00	10.00	TC	TC-060010000100		85.00	10.00	VBC	VBC-065008500100
	100.00	12.00	TC	TC-060010000120		85.00	10.00	KBC	KBC-065008500100
	105.00	8.00	SB2	SB2-060010500080		85.00	12.00	TC	TC-065008500120
	110.00	8.00	SB2	SB2-060011000080		85.00	13.00	SC	SC-065008500130
60.50	78.00	9.00	SC	SC-060507800090		85.00	13.00	TC	TC-065008500130
61.00	85.00	8.00	TC	TC-061008500080		86.00	8.00	TC	TC-065008600080
62.00	75.00	10.00	SB2	SB2-062007500100		85.00	8.00	SB2	SB2-065008500080
	80.00	8.00	SB2	SB2-062008000080		88.00	10.00	TC	TC-065008800100
	80.00	10.00	TA2	TA2-062008000100		88.00	12.00	SC	SC-065008800120

Metric Size List

Shaft Dia.	Bore Dia.	Seal Width	Seal Design	Seal Number	Shaft Dia.	Bore Dia.	Seal Width	Seal Design	Seal Number
65.00	88.00	12.00	TC	TC-065008800120	70.00	85.00	8.00	SB2	SB2-070008500080
	90.00	8.00	SB2	SB2-065009000080		85.00	8.00	SC	SC-070008500080
	90.00	10.00	SA2	SA2-065009000100		85.00	8.00	TC	TC-070008500080
	90.00	10.00	TA2	TA2-065009000100		85.00	10.00	TC	TC-070008500100
	90.00	10.00	VA2	VA2-065009000100		87.00	8.50	TC	TC-070008700085
	90.00	10.00	KA2	KA2-065009000100		88.00	8.00	SB2	SB2-070008800080
	90.00	10.00	SB2	SB2-065009000100		88.00	8.00	TC	TC-070008800080
	90.00	10.00	TB2	TB2-065009000100		88.00	10.00	TC	TC-070008800100
	90.00	10.00	VB2	VB2-065009000100		88.00	12.00	SC	SC-070008800120
	90.00	10.00	KB2	KB2-065009000100		90.00	8.00	SB2	SB2-070009000080
	90.00	10.00	SC	SC-065009000100		90.00	10.00	SA2	SA2-070009000100
	90.00	10.00	TC	TC-065009000100		90.00	10.00	TA2	TA2-070009000100
	90.00	10.00	VC	VC-065009000100		90.00	10.00	VA2	VA2-070009000100
	90.00	10.00	KC	KC-065009000100		90.00	10.00	KA2	KA2-070009000100
	90.00	10.00	SBC	SBC-065009000100		90.00	10.00	SB2	SB2-070009000100
	90.00	10.00	TBC	TBC-065009000100		90.00	10.00	TB2	TB2-070009000100
	90.00	10.00	VBC	VBC-065009000100		90.00	10.00	VB2	VB2-070009000100
	90.00	10.00	KBC	KBC-065009000100		90.00	10.00	KB2	KB2-070009000100
	90.00	12.00	SC	SC-065009000120		90.00	10.00	SC	SC-070009000100
	90.00	12.00	TC	TC-065009000120		90.00	10.00	TC	TC-070009000100
	90.00	13.00	TBR	TBR-065009000130		90.00	10.00	VC	VC-070009000100
	90.00	13.00	SC	SC-065009000130		90.00	10.00	KC	KC-070009000100
	90.00	13.00	TC	TC-065009000130		90.00	10.00	SBC	SBC-070009000100
	92.00	12.00	TB2	TB2-065009200120		90.00	10.00	TBC	TBC-070009000100
	92.00	11.13	SA2	SA2-065009200111		90.00	10.00	VBC	VBC-070009000100
	92.00	12.00	TC	TC-065009200120		90.00	10.00	KBC	KBC-070009000100
	95.00	10.00	SB2	SB2-065009500100		90.00	12.00	SC	SC-070009000120
	95.00	10.00	SC	SC-065009500100		90.00	12.00	TC	TC-070009000120
	95.00	14.00	TC	TC-065009500140		90.00	13.00	SC	SC-070009000130
	100.00	8.00	SB2	SB2-065010000080		90.00	13.00	TC	TC-070009000130
	100.00	10.00	SC	SC-065010000100		90.00	13.50	TB2	TB2-070009000135
	100.00	10.00	TC	TC-065010000100		92.00	11.00	SA2	SA2-070009200110
	100.00	12.00	TC	TC-065010000120		92.00	12.00	TC	TC-070009200120
	100.00	13.00	TB2	TB2-065010000130		92.00	13.00	TC	TC-070009200130
	110.00	10.00	SB2	SB2-065011000100		95.00	10.00	SA2	SA2-070009500100
	120.00	8.00	SB2	SB2-065012000080		95.00	10.00	TA2	TA2-070009500100
	120.00	8.00	SC	SC-065012000080		95.00	10.00	VA2	VA2-070009500100
66.00	80.00	8.90	TA2	TA2-066008000089		95.00	10.00	KA2	KA2-070009500100
	85.00	10.00	TA2	TA2-066008500100		95.00	10.00	SB2	SB2-070009500100
	90.00	13.00	SA2	SA2-066009000130		95.00	10.00	TB2	TB2-070009500100
68.00	85.00	8.00	SB2	SB2-068008500080		95.00	10.00	VB2	VB2-070009500100
	85.00	8.00	SC	SC-068008500080		95.00	10.00	KB2	KB2-070009500100
	85.00	8.00	TC	TC-068008500080		95.00	10.00	SC	SC-070009500100
	85.00	10.00	SB2	SB2-068008500100		95.00	10.00	TC	TC-070009500100
	85.00	10.00	TC	TC-068008500100		95.00	10.00	VC	VC-070009500100
	88.00	8.00	SB2	SB2-068008800080		95.00	10.00	KC	KC-070009500100
	90.00	8.00	SB2	SB2-068009000080		95.00	10.00	SBC	SBC-070009500100
	90.00	10.00	TA2	TA2-068009000100		95.00	10.00	TBC	TBC-070009500100
	90.00	10.00	TB2	TB2-068009000100		95.00	10.00	VBC	VBC-070009500100
	90.00	10.00	SC	SC-068009000100		95.00	10.00	KBC	KBC-070009500100
	90.00	10.00	TC	TC-068009000100		95.00	12.00	TC	TC-070009500120
	90.00	12.00	SC	SC-068009000120		95.00	13.00	SC	SC-070009500130
	90.00	13.00	SC	SC-068009000130		95.00	13.00	TC	TC-070009500130
	90.00	13.00	TC	TC-068009000130		98.00	10.00	TC	TC-070009800100
	95.00	10.00	SB2	SB2-068009500100		98.50	10.00	TC	TC-070009850100
	95.00	13.00	SC	SC-068009500130		98.50	12.00	TC	TC-070009850120
	100.00	10.00	SB2	SB2-068010000100		100.00	10.00	SB2	SB2-070010000100
	100.00	10.00	SC	SC-068010000100		100.00	10.00	SC	SC-070010000100
	100.00	13.00	SC	SC-068010000130		100.00	10.00	TC	TC-070010000100
69.00	85.00	10.00	TB2	TB2-069008500100		100.00	12.00	SC	SC-070010000120
70.00	80.00	3.00	WPB	WPB-070008000030		100.00	12.00	TC	TC-070010000120
	85.00	7.00	SC	SC-070008500070		100.00	13.00	SC	SC-070010000130

METRIC SIZE LIST



Metric Size List

Shaft Dia.	Bore Dia.	Seal Width	Seal Design	Seal Number	
70.00	100.00	13.00	TC	TC-070010000130	
	105.00	10.00	SB2	SB2-070010500100	
	105.00	10.00	TC	TC-070010500100	
	105.00	13.00	SC	SC-070010500130	
	105.00	13.00	TC	TC-070010500130	
	110.00	10.00	SB2	SB2-070011000100	
	110.00	12.00	SC	SC-070011000120	
	110.00	12.00	TC	TC-070011000120	
	110.00	12.70	TA2	TA2-070011000127	
	110.00	13.00	SC	SC-070011000130	
	120.00	13.00	TC	TC-070012000130	
	125.00	13.00	TC	TC-070012500130	
	71.00	88.00	8.00	TC	TC-071008800080
	72.00	86.00	5.00	SC	SC-072008600050
88.00		8.00	SB2	SB2-072008800080	
90.00		8.00	TB2	TB2-072009000080	
90.00		10.00	SC	SC-072009000100	
90.00		10.00	TC	TC-072009000100	
94.00		10.00	TC	TC-072009400100	
94.00		12.00	TC	TC-072009400120	
95.00		10.00	SC	SC-072009500100	
100.00		10.00	SC	SC-072010000100	
100.00		12.00	SC	SC-072010000120	
102.00		13.00	TC	TC-072010200130	
105.00		10.00	TC	TC-072010500100	
73.00	90.00	8.00	TB2	TB2-073009000080	
	110.00	11.13	TB2	TB2-073011000111	
74.00	95.00	7.00	VC	VC-074009500070	
	98.00	12.00	TC	TC-074009800120	
	100.00	13.00	SA2	SA2-074010000130	
75.00	90.00	8.00	SB2	SB2-075009000080	
	90.00	8.00	SC	SC-075009000080	
	90.00	10.00	SC	SC-075009000100	
	90.00	10.00	TC	TC-075009000100	
	95.00	8.00	TC	TC-075009500080	
	95.00	10.00	SA2	SA2-075009500100	
	95.00	10.00	TA2	TA2-075009500100	
	95.00	10.00	VA2	VA2-075009500100	
	95.00	10.00	KA2	KA2-075009500100	
	95.00	10.00	SB2	SB2-075009500100	
	95.00	10.00	TB2	TB2-075009500100	
	95.00	10.00	VB2	VB2-075009500100	
	95.00	10.00	KB2	KB2-075009500100	
	95.00	10.00	SC	SC-075009500100	
	95.00	10.00	TC	TC-075009500100	
	95.00	10.00	VC	VC-075009500100	
	95.00	10.00	KC	KC-075009500100	
	95.00	10.00	SBC	SBC-075009500100	
	95.00	10.00	TBC	TBC-075009500100	
	95.00	10.00	VBC	VBC-075009500100	
	95.00	10.00	KBC	KBC-075009500100	
	95.00	12.00	SC	SC-075009500120	
	95.00	13.00	SC	SC-075009500130	
	96.00	8.30	SC	SC-075009600083	
	100.00	10.00	SA2	SA2-075010000100	
	100.00	10.00	TA2	TA2-075010000100	
	100.00	10.00	VA2	VA2-075010000100	
	100.00	10.00	KA2	KA2-075010000100	
	100.00	10.00	SB2	SB2-075010000100	
	100.00	10.00	TB2	TB2-075010000100	
	100.00	10.00	VB2	VB2-075010000100	
	100.00	10.00	KB2	KB2-075010000100	

Shaft Dia.	Bore Dia.	Seal Width	Seal Design	Seal Number
75.00	100.00	10.00	SC	SC-075010000100
	100.00	10.00	TC	TC-075010000100
	100.00	10.00	VC	VC-075010000100
	100.00	10.00	KC	KC-075010000100
	100.00	10.00	SBC	SBC-075010000100
	100.00	10.00	TBC	TBC-075010000100
	100.00	10.00	VBC	VBC-075010000100
	100.00	10.00	KBC	KBC-075010000100
	100.00	12.00	SC	SC-075010000120
	100.00	12.00	TC	TC-075010000120
	100.00	13.00	TA2	TA2-075010000130
	100.00	13.00	TB2	TB2-075010000130
	100.00	13.00	SC	SC-075010000130
	100.00	13.00	TC	TC-075010000130
	102.00	13.00	TC	TC-075010200130
	105.00	10.00	SB2	SB2-075010500100
	105.00	10.00	TC	TC-075010500100
	105.00	12.00	TA2	TA2-075010500120
	105.00	13.00	SC	SC-075010500130
	105.00	13.00	TC	TC-075010500130
	105.00	15.00	KC	KC-075010500150
	106.00	10.00	TC	TC-075010600100
	110.00	10.00	SB2	SB2-075011000100
	110.00	12.00	SC	SC-075011000120
110.00	12.00	TC	TC-075011000120	
110.00	13.00	TC	TC-075011000130	
115.00	12.00	SB2	SB2-075011500120	
115.00	13.00	SA2	SA2-075011500130	
120.00	12.00	SC	SC-075012000120	
120.00	13.00	TC	TC-075012000130	
121.00	13.00	TB2	TB2-075012100130	
125.00	13.00	TC	TC-075012500130	
76.00	93.00	10.00	TC	TC-076009300100
	98.00	12.00	TC	TC-076009800120
78.00	98.00	10.00	TC	TC-078009800100
	100.00	10.00	SC	SC-078010000100
80.00	95.00	10.00	TC	TC-080009500100
	100.00	8.50	TC	TC-080010000085
	100.00	10.00	SA2	SA2-080010000100
	100.00	10.00	TA2	TA2-080010000100
	100.00	10.00	VA2	VA2-080010000100
	100.00	10.00	KA2	KA2-080010000100
	100.00	10.00	SB2	SB2-080010000100
	100.00	10.00	TB2	TB2-080010000100
	100.00	10.00	VB2	VB2-080010000100
	100.00	10.00	KB2	KB2-080010000100
	100.00	10.00	SC	SC-080010000100
	100.00	10.00	TC	TC-080010000100
	100.00	10.00	VC	VC-080010000100
	100.00	10.00	KC	KC-080010000100
	100.00	10.00	SBC	SBC-080010000100
	100.00	10.00	TBC	TBC-080010000100
	100.00	10.00	VBC	VBC-080010000100
	100.00	10.00	KBC	KBC-080010000100
	100.00	12.00	SC	SC-080010000120
	100.00	13.00	TB2	TB2-080010000130
	100.00	13.00	SC	SC-080010000130
	105.00	10.00	SB2	SB2-080010500100
	105.00	12.00	SC	SC-080010500120
	105.00	12.00	TC	TC-080010500120
105.00	13.00	TC	TC-080010500130	
105.00	14.00	TC	TC-080010500140	

Metric Size List

Shaft Dia.	Bore Dia.	Seal Width	Seal Design	Seal Number	Shaft Dia.	Bore Dia.	Seal Width	Seal Design	Seal Number
80.00	108.00	10.00	TC	TC-080010800100	85.00	110.00	13.00	TC	TC-085011000130
	110.00	10.00	SA2	SA2-080011000100		115.00	13.00	SC	SC-085011500130
	110.00	10.00	TA2	TA2-080011000100		115.00	13.00	TC	TC-085011500130
	110.00	10.00	VA2	VA2-080011000100		120.00	12.00	SA2	SA2-085012000120
	110.00	10.00	KA2	KA2-080011000100		120.00	12.00	TA2	TA2-085012000120
	110.00	10.00	SB2	SB2-080011000100		120.00	12.00	VA2	VA2-085012000120
	110.00	10.00	TB2	TB2-080011000100		120.00	12.00	KA2	KA2-085012000120
	110.00	10.00	VB2	VB2-080011000100		120.00	12.00	SB2	SB2-085012000120
	110.00	10.00	KB2	KB2-080011000100		120.00	12.00	TB2	TB2-085012000120
	110.00	10.00	SC	SC-080011000100		120.00	12.00	VB2	VB2-085012000120
	110.00	10.00	TC	TC-080011000100		120.00	12.00	KB2	KB2-085012000120
	110.00	10.00	VC	VC-080011000100		120.00	12.00	SC	SC-085012000120
	110.00	10.00	KC	KC-080011000100		120.00	12.00	TC	TC-085012000120
	110.00	10.00	SBC	SBC-080011000100		120.00	12.00	VC	VC-085012000120
	110.00	10.00	TBC	TBC-080011000100		120.00	12.00	KC	KC-085012000120
	110.00	10.00	VBC	VBC-080011000100		120.00	12.00	SBC	SBC-085012000120
	110.00	10.00	KBC	KBC-080011000100		120.00	12.00	TBC	TBC-085012000120
	110.00	12.00	SC	SC-080011000120		120.00	12.00	VBC	VBC-085012000120
	110.00	12.00	TC	TC-080011000120		120.00	12.00	KBC	KBC-085012000120
	110.00	13.00	SC	SC-080011000130		120.00	13.00	TC	TC-085012000130
	110.00	13.00	TC	TC-080011000130		125.00	12.00	SB2	SB2-085012500120
	115.00	15.00	TC	TC-080011500150		125.00	14.00	TC	TC-085012500140
	120.00	10.00	SB2	SB2-080012000100		130.00	12.00	SB2	SB2-085013000120
	120.00	13.00	SC	SC-080012000130		130.00	12.70	TC	TC-085013000127
	125.00	10.00	SB2	SB2-080012500100		130.00	13.00	TC	TC-085013000130
	125.00	13.00	SA2	SA2-080012500130		135.00	13.00	TC	TC-085013500130
	130.00	12.00	TB2	TB2-080013000120	85.72	111.27	10.00	TA2	TA2-085711120100
	130.00	13.00	TC	TC-080013000130	86.00	98.00	10.00	TC	TC-086009800100
	140.00	12.00	SB2	SB2-080014000120		100.00	10.00	TC	TC-086010000100
82.00	105.00	12.00	SC	SC-082010500120	88.00	108.00	11.00	TC	TC-088010800110
	105.00	12.00	TC	TC-082010500120		110.00	12.00	SC	SC-088011000120
	105.00	13.00	TC	TC-082010500130		110.00	13.00	SA2	SA2-088011000130
	110.00	12.00	SC	SC-082011000120	90.00	100.00	12.00	TC	TC-090010000120
83.00	96.00	6.50	SC	SC-083009600065		104.00	10.00	TC	TC-090010400100
84.00	127.00	11.00	SA2	SA2-084012700110		105.00	10.00	TC	TC-090010500100
85.00	100.00	9.00	SB2	SB2-085010000090		105.00	13.00	TC	TC-090010500130
	100.00	10.00	TC	TC-085010000100		110.00	7.00	TC	TC-090011000070
	100.00	13.00	TC	TC-085010000130		110.00	7.50	TC	TC-090011000075
	105.00	10.00	SB2	SB2-085010500100		110.00	8.00	SC	SC-090011000080
	105.00	10.00	SC	SC-085010500100		110.00	12.00	SB2	SB2-090011000120
	105.00	12.00	SC	SC-085010500120		110.00	12.00	SC	SC-090011000120
	105.00	12.00	TC	TC-085010500120		110.00	12.00	TC	TC-090011000120
	105.00	13.00	SC	SC-085010500130		110.00	13.00	TC	TC-090011000130
	110.00	10.00	SB2	SB2-085011000100		112.70	13.00	TA2	TA2-090011270130
	110.00	10.00	TB2	TB2-085011000100		112.70	13.00	SC	SC-090011270130
	110.00	10.00	TC	TC-085011000100		115.00	9.00	TC	TC-090011500090
	110.00	12.00	SA2	SA2-085011000120		115.00	12.00	TB2	TB2-090011500120
	110.00	12.00	TA2	TA2-085011000120		115.00	13.00	TB2	TB2-090011500130
	110.00	12.00	VA2	VA2-085011000120		115.00	13.00	SC	SC-090011500130
	110.00	12.00	KA2	KA2-085011000120		115.00	13.00	TC	TC-090011500130
	110.00	12.00	SB2	SB2-085011000120		118.00	12.00	TC	TC-090011800120
	110.00	12.00	TB2	TB2-085011000120		120.00	12.00	SA2	SA2-090012000120
	110.00	12.00	VB2	VB2-085011000120		120.00	12.00	TA2	TA2-090012000120
	110.00	12.00	KB2	KB2-085011000120		120.00	12.00	VA2	VA2-090012000120
	110.00	12.00	SC	SC-085011000120		120.00	12.00	KA2	KA2-090012000120
	110.00	12.00	TC	TC-085011000120		120.00	12.00	SB2	SB2-090012000120
	110.00	12.00	VC	VC-085011000120		120.00	12.00	TB2	TB2-090012000120
	110.00	12.00	KC	KC-085011000120		120.00	12.00	VB2	VB2-090012000120
	110.00	12.00	SBC	SBC-085011000120		120.00	12.00	KB2	KB2-090012000120
	110.00	12.00	TBC	TBC-085011000120		120.00	12.00	SC	SC-090012000120
	110.00	12.00	VBC	VBC-085011000120		120.00	12.00	TC	TC-090012000120
	110.00	12.00	KBC	KBC-085011000120		120.00	12.00	VC	VC-090012000120

METRIC SIZE LIST



Metric Size List

Shaft Dia.	Bore Dia.	Seal Width	Seal Design	Seal Number	Shaft Dia.	Bore Dia.	Seal Width	Seal Design	Seal Number	
90.00	120.00	12.00	KC	KC-090012000120	100.00	120.00	12.00	SC	SC-100012000120	
	120.00	12.00	SBC	SBC-090012000120		120.00	12.00	TC	TC-100012000120	
	120.00	12.00	TBC	TBC-090012000120		120.00	13.00	SA2	SA2-100012000130	
	120.00	12.00	VBC	VBC-090012000120		120.00	13.00	SC	SC-100012000130	
	120.00	12.00	KBC	KBC-090012000120		120.00	13.00	TC	TC-100012000130	
	120.00	13.00	SC	SC-090012000130		120.00	15.00	TC	TC-100012000150	
	120.00	13.00	TC	TC-090012000130		125.00	12.00	SA2	SA2-100012500120	
	125.00	12.00	SB2	SB2-090012500120		125.00	12.00	TA2	TA2-100012500120	
	125.00	13.00	SA2	SA2-090012500130		125.00	12.00	VA2	VA2-100012500120	
	125.00	13.00	TC	TC-090012500130		125.00	12.00	KA2	KA2-100012500120	
	130.00	12.00	SB2	SB2-090013000120		125.00	12.00	SB2	SB2-100012500120	
	135.00	13.00	TC	TC-090013500130		125.00	12.00	TB2	TB2-100012500120	
	140.00	12.00	TB2	TB2-090014000120		125.00	12.00	VB2	VB2-100012500120	
	140.00	13.00	SC	SC-090014000130		125.00	12.00	KB2	KB2-100012500120	
	91.00	114.00	13.00	TC		TC-091011400130	125.00	12.00	SC	SC-100012500120
	92.00	120.00	13.00	SC		SC-092012000130	125.00	12.00	TC	TC-100012500120
120.00		14.00	SC	SC-092012000140	125.00	12.00	VC	VC-100012500120		
127.00		11.00	TA2	TA2-092012700110	125.00	12.00	KC	KC-100012500120		
93.00	114.00	12.00	TB2	TB2-093011400120	125.00	12.00	SBC	SBC-100012500120		
	114.00	13.00	TC	TC-093011400130	125.00	12.00	TBC	TBC-100012500120		
	114.00	14.00	TC	TC-093011400140	125.00	12.00	VBC	VBC-100012500120		
95.00	110.00	9.00	SB2	SB2-095011000090	125.00	12.00	KBC	KBC-100012500120		
	110.00	10.00	SB2	SB2-095011000100	125.00	13.00	TB2	TB2-100012500130		
	110.00	12.00	SC	SC-095011000120	125.00	13.00	SC	SC-100012500130		
	115.00	12.00	SB2	SB2-095011500120	125.00	13.00	TC	TC-100012500130		
	115.00	12.00	SC	SC-095011500120	127.00	11.13	SA2	SA2-100012700111		
	115.00	13.00	TC	TC-095011500130	130.00	12.00	SB2	SB2-100013000120		
	120.00	12.00	SA2	SA2-095012000120	130.00	12.00	SC	SC-100013000120		
	120.00	12.00	TA2	TA2-095012000120	130.00	12.00	TC	TC-100013000120		
	120.00	12.00	VA2	VA2-095012000120	130.00	13.00	TC	TC-100013000130		
	120.00	12.00	KA2	KA2-095012000120	135.00	12.00	TB2	TB2-100013500120		
	120.00	12.00	SB2	SB2-095012000120	135.00	13.00	TC	TC-100013500130		
	120.00	12.00	TB2	TB2-095012000120	135.00	15.00	TC	TC-100013500150		
	120.00	12.00	VB2	VB2-095012000120	140.00	12.00	TB2	TB2-100014000120		
	120.00	12.00	KB2	KB2-095012000120	140.00	12.00	TC	TC-100014000120		
	120.00	12.00	SC	SC-095012000120	140.00	13.00	SC	SC-100014000130		
	120.00	12.00	TC	TC-095012000120	140.00	13.00	TC	TC-100014000130		
	120.00	12.00	VC	VC-095012000120	145.00	13.00	TC	TC-100014500130		
	120.00	12.00	KC	KC-095012000120	150.00	12.00	SC	SC-100015000120		
	120.00	12.00	SBC	SBC-095012000120	102.00	130.00	11.00	SA2	SA2-102013000110	
	120.00	12.00	TBC	TBC-095012000120	130.00	13.00	SC	SC-102013000130		
	120.00	12.00	VBC	VBC-095012000120	135.00	13.00	TC	TC-102013500130		
	120.00	12.00	KBC	KBC-095012000120	104.00	125.00	10.00	SC	SC-104012500100	
	125.00	12.00	SB2	SB2-095012500120	105.00	125.00	12.00	SB2	SB2-105012500120	
	125.00	12.00	SC	SC-095012500120		125.00	12.00	TB2	TB2-105012500120	
	125.00	13.00	SC	SC-095012500130		125.00	13.00	TC	TC-105012500130	
	125.00	13.00	TC	TC-095012500130		127.00	11.13	SA2	SA2-105012700111	
	130.00	12.00	SB2	SB2-095013000120		127.00	13.00	TC	TC-105012700130	
	130.00	12.00	SC	SC-095013000120		130.00	12.00	SB2	SB2-105013000120	
	130.00	13.00	SC	SC-095013000130		130.00	12.00	TB2	TB2-105013000120	
	130.00	13.00	TC	TC-095013000130		130.00	12.00	SC	SC-105013000120	
	130.00	15.00	TC	TC-095013000150		130.00	12.00	TC	TC-105013000120	
	135.00	13.00	TC	TC-095013500130		135.00	12.00	TB2	TB2-105013500120	
135.00	13.00	VC	VC-095013500130	135.00		13.00	TC	TC-105013500130		
96.00	117.00	10.00	TC	TC-096011700100		135.00	14.00	TC	TC-105013500140	
98.00	116.00	10.00	TC	TC-098011600100		140.00	12.00	TB2	TB2-105014000120	
	120.00	12.00	SB2	SB2-098012000120		140.00	12.00	SC	SC-105014000120	
98.00	120.00	13.00	SC	SC-098012000130		140.00	15.00	SC	SC-105014000150	
100.00	115.00	9.00	SC	SC-100011500090		140.00	15.00	TC	TC-105014000150	
	120.00	10.00	SC	SC-100012000100	145.00	12.00	TB2	TB2-105014500120		
	120.00	11.00	TC	TC-100012000110	150.00	15.00	TC	TC-105015000150		
	120.00	12.00	SB2	SB2-100012000120	160.00	12.00	SB2	SB2-105016000120		

Metric Size List

Shaft Dia.	Bore Dia.	Seal Width	Seal Design	Seal Number
105.00	123.00	11.00	TB2	TB2-107012300110
107.00	127.00	13.00	TC	TC-107012700130
108.00	130.00	13.00	SA2	SA2-108013000130
109.00	122.00	6.50	SC	SC-109012200065
	122.00	6.50	TC	TC-109012200065
110.00	130.00	12.00	SB2	SB2-110013000120
	130.00	12.00	SC	SC-110013000120
	130.00	12.00	TC	TC-110013000120
	135.00	12.00	SB2	SB2-110013500120
	135.00	12.00	SC	SC-110013500120
	135.00	14.00	TC	TC-110013500140
	140.00	12.00	SA2	SA2-110014000120
	140.00	12.00	TA2	TA2-110014000120
	140.00	12.00	VA2	VA2-110014000120
	140.00	12.00	KA2	KA2-110014000120
	140.00	12.00	SB2	SB2-110014000120
	140.00	12.00	TB2	TB2-110014000120
	140.00	12.00	VB2	VB2-110014000120
	140.00	12.00	KB2	KB2-110014000120
	140.00	12.00	SC	SC-110014000120
	140.00	12.00	TC	TC-110014000120
	140.00	12.00	VC	VC-110014000120
	140.00	12.00	KC	KC-110014000120
	140.00	12.00	SBC	SBC-110014000120
	140.00	12.00	TBC	TBC-110014000120
	140.00	12.00	VBC	VBC-110014000120
	140.00	12.00	KBC	KBC-110014000120
	140.00	13.00	SA2	SA2-110014000130
	140.00	13.00	SC	SC-110014000130
	140.00	14.00	TC	TC-110014000140
	145.00	12.00	SB2	SB2-110014500120
	145.00	15.00	TC	TC-110014500150
	150.00	13.00	SC	SC-110015000130
	150.00	15.00	TC	TC-110015000150
	160.00	12.00	SA2	SA2-110016000120
110.30	133.20	12.00	SC	SC-110313320120
112.00	140.00	12.00	TC	TC-112014000120
113.00	140.00	13.00	SA2	SA2-113014000130
114.00	140.00	13.00	SC	SC-114014000130
115.00	135.00	12.00	SB2	SB2-115013500120
	135.00	13.00	TC	TC-115013500130
	140.00	12.00	SB2	SB2-115014000120
	140.00	12.00	SC	SC-115014000120
	140.00	13.00	SC	SC-115014000130
	140.00	13.00	TC	TC-115014000130
	145.00	12.00	SB2	SB2-115014500120
	145.00	12.00	SC	SC-115014500120
	145.00	14.00	TC	TC-115014500140
	150.00	12.00	SB2	SB2-115015000120
	150.00	12.00	SC	SC-115015000120
	150.00	13.00	SA2	SA2-115015000130
	150.00	15.00	SC	SC-115015000150
	160.00	12.00	SB2	SB2-115016000120
	160.00	15.00	SA2	SA2-115016000150
118.00	140.00	13.00	SC	SC-118014000130
120.00	135.00	13.00	TC	TC-120013500130
	140.00	10.50	TB2	TB2-120014000105
	140.00	12.00	TB2	TB2-120014000120
	140.00	13.00	TB2	TB2-120014000130
	140.00	13.00	SC	SC-120014000130
	145.00	12.00	SB2	SB2-120014500120
	145.00	12.00	SC	SC-120014500120

Shaft Dia.	Bore Dia.	Seal Width	Seal Design	Seal Number
	145.00	13.00	SC	SC-120014500130
	145.00	15.00	TB2	TB2-120014500150
	145.00	15.00	SC	SC-120014500150
	150.00	12.00	SA2	SA2-120015000120
	150.00	12.00	TA2	TA2-120015000120
	150.00	12.00	VA2	VA2-120015000120
	150.00	12.00	KA2	KA2-120015000120
	150.00	12.00	SB2	SB2-120015000120
	150.00	12.00	TB2	TB2-120015000120
	150.00	12.00	VB2	VB2-120015000120
	150.00	12.00	KB2	KB2-120015000120
	150.00	12.00	SC	SC-120015000120
	150.00	12.00	TC	TC-120015000120
	150.00	12.00	VC	VC-120015000120
	150.00	12.00	KC	KC-120015000120
	150.00	12.00	SBC	SBC-120015000120
	150.00	12.00	TBC	TBC-120015000120
	150.00	12.00	VBC	VBC-120015000120
	150.00	12.00	KBC	KBC-120015000120
	150.00	13.00	SC	SC-120015000130
	150.00	13.00	TC	TC-120015000130
	150.00	14.00	TC	TC-120015000140
	150.00	15.00	SA2	SA2-120015000150
	155.00	16.00	TC	TC-120015500160
	160.00	12.00	SA2	SA2-120016000120
	160.00	12.00	SC	SC-120016000120
	160.00	12.00	TC	TC-120016000120
	160.00	14.00	TC	TC-120016000140
	165.00	14.00	TC	TC-120016500140
125.00	145.00	15.00	TC	TC-125014500150
	146.00	14.00	TB2	TB2-125014600140
	150.00	12.00	SB2	SB2-125015000120
	150.00	12.00	SC	SC-125015000120
	150.00	12.00	TC	TC-125015000120
	150.00	13.00	TA2	TA2-125015000130
	150.00	15.00	TC	TC-125015000150
	152.40	15.00	TB2	TB2-125015240150
	152.40	15.00	SC	SC-125015240150
	155.00	14.00	TC	TC-125015500140
	160.00	12.00	SB2	SB2-125016000120
	160.00	12.00	SC	SC-125016000120
	160.00	15.00	TC	TC-125016000150
	170.00	15.00	TC	TC-125017000150
126.00	147.00	11.00	TB2	TB2-126014700110
128.00	150.00	15.00	SC	SC-128015000150
130.00	150.00	10.00	TB2	TB2-130015000100
	150.00	13.00	TC	TC-130015000130
	150.00	14.00	TB2	TB2-130015000140
	150.00	15.00	TC	TC-130015000150
	155.00	10.00	SA2	SA2-130015500100
	160.00	12.00	SA2	SA2-130016000120
	160.00	12.00	TA2	TA2-130016000120
	160.00	12.00	VA2	VA2-130016000120
	160.00	12.00	KA2	KA2-130016000120
	160.00	12.00	SB2	SB2-130016000120
	160.00	12.00	TB2	TB2-130016000120
	160.00	12.00	VB2	VB2-130016000120
	160.00	12.00	KB2	KB2-130016000120
	160.00	12.00	SC	SC-130016000120
	160.00	12.00	TC	TC-130016000120
	160.00	12.00	VC	VC-130016000120
	160.00	12.00	KC	KC-130016000120

METRIC SIZE LIST



Metric Size List

Shaft Dia.	Bore Dia.	Seal Width	Seal Design	Seal Number	Shaft Dia.	Bore Dia.	Seal Width	Seal Design	Seal Number
130.00	160.00	12.00	SBC	SBC-130016000120	148.00	170.00	15.00	SC	SC-148017000150
	160.00	12.00	TBC	TBC-130016000120	150.00	170.00	14.00	TC	TC-150017000140
	160.00	12.00	VBC	VBC-130016000120		170.00	15.00	SA2	SA2-150017000150
	160.00	12.00	KBC	KBC-130016000120		172.00	13.00	TC	TC-150017200130
	160.00	13.00	SB2	SB2-130016000130		180.00	12.00	SC	SC-150018000120
	160.00	13.00	TB2	TB2-130016000130		180.00	13.00	SA2	SA2-150018000130
	160.00	13.00	TC	TC-130016000130		180.00	13.00	SC	SC-150018000130
	160.00	14.00	TC	TC-130016000140		180.00	14.00	SC	SC-150018000140
	160.00	15.00	TC	TC-130016000150		180.00	14.00	TC	TC-150018000140
	165.00	13.00	SA2	SA2-130016500130		180.00	15.00	SA2	SA2-150018000150
	165.00	14.00	TC	TC-130016500140		180.00	15.00	TA2	TA2-150018000150
	170.00	12.00	SB2	SB2-130017000120		180.00	15.00	VA2	VA2-150018000150
	170.00	12.00	SC	SC-130017000120		180.00	15.00	KA2	KA2-150018000150
	170.00	15.00	SC	SC-130017000150		180.00	15.00	SB2	SB2-150018000150
135.00	160.00	12.00	SC	SC-135016000120		180.00	15.00	TB2	TB2-150018000150
	160.00	13.00	SA2	SA2-135016000130		180.00	15.00	VB2	VB2-150018000150
	160.00	13.00	TC	TC-135016000130		180.00	15.00	KB2	KB2-150018000150
	160.00	15.00	SC	SC-135016000150		180.00	15.00	SC	SC-150018000150
	160.00	15.00	TC	TC-135016000150		180.00	15.00	TC	TC-150018000150
	165.00	13.00	TC	TC-135016500130		180.00	15.00	VC	VC-150018000150
	165.00	14.00	TC	TC-135016500140		180.00	15.00	KC	KC-150018000150
	170.00	12.00	SC	SC-135017000120		180.00	15.00	SBC	SBC-150018000150
	170.00	14.00	TC	TC-135017000140		180.00	15.00	TBC	TBC-150018000150
	170.00	15.00	SA2	SA2-135017000150		180.00	15.00	VBC	VBC-150018000150
138.00	152.00	12.00	TB2	TB2-138015200120		180.00	15.00	KBC	KBC-150018000150
140.00	160.00	12.00	SB2	SB2-140016000120		200.00	15.00	SA2	SA2-150020000150
	160.00	13.00	SC	SC-140016000130	154.00	175.00	13.00	TB2	TB2-154017500130
	160.00	14.00	TB2	TB2-140016000140		180.00	15.00	TC	TC-154018000150
	165.00	14.00	TC	TC-140016500140	155.00	180.00	14.00	TB2	TB2-155018000140
	170.00	12.00	SB2	SB2-140017000120		180.00	15.00	TC	TC-155018000150
	170.00	13.00	SC	SC-140017000130		185.00	14.00	TB2	TB2-155018500140
	170.00	15.00	SA2	SA2-140017000150		190.00	15.00	SC	SC-155019000150
	170.00	15.00	TA2	TA2-140017000150	160.00	180.00	10.00	TB2	TB2-160018000100
	170.00	15.00	VA2	VA2-140017000150		180.00	14.00	TC	TC-160018000140
	170.00	15.00	KA2	KA2-140017000150		185.00	10.00	SC	SC-160018500100
	170.00	15.00	SB2	SB2-140017000150		185.00	13.00	TB2	TB2-160018500130
	170.00	15.00	TB2	TB2-140017000150		190.00	15.00	SA2	SA2-160019000150
	170.00	15.00	VB2	VB2-140017000150		190.00	15.00	TA2	TA2-160019000150
	170.00	15.00	KB2	KB2-140017000150		190.00	15.00	VA2	VA2-160019000150
	170.00	15.00	SC	SC-140017000150		190.00	15.00	KA2	KA2-160019000150
	170.00	15.00	TC	TC-140017000150		190.00	15.00	SB2	SB2-160019000150
	170.00	15.00	VC	VC-140017000150		190.00	15.00	TB2	TB2-160019000150
	170.00	15.00	KC	KC-140017000150		190.00	15.00	VB2	VB2-160019000150
	170.00	15.00	SBC	SBC-140017000150		190.00	15.00	KB2	KB2-160019000150
	170.00	15.00	TBC	TBC-140017000150		190.00	15.00	SC	SC-160019000150
	170.00	15.00	VBC	VBC-140017000150		190.00	15.00	TC	TC-160019000150
	170.00	15.00	KBC	KBC-140017000150		190.00	15.00	VC	VC-160019000150
	180.00	12.00	SC	SC-140018000120		190.00	15.00	KC	KC-160019000150
	180.00	14.00	TC	TC-140018000140		190.00	15.00	SBC	SBC-160019000150
143.00	181.00	12.70	TA2	TA2-143018100127		190.00	15.00	TBC	TBC-160019000150
144.00	160.00	12.00	SC	SC-144016000120		190.00	15.00	VBC	VBC-160019000150
145.00	164.00	14.00	TB2	TB2-145016400140		190.00	15.00	KBC	KBC-160019000150
	170.00	12.00	SC	SC-145017000120		200.00	15.00	TC	TC-160020000150
	170.00	15.00	SC	SC-145017000150	162.00	200.00	14.30	TA2	TA2-162020000143
	170.00	15.00	TC	TC-145017000150		200.00	15.88	SA2	SA2-162020000158
	175.00	13.00	SA2	SA2-145017500130	165.00	180.00	13.00	TC	TC-165018000130
	175.00	13.00	SC	SC-145017500130		190.00	13.00	SC	SC-165019000130
	175.00	14.00	SB2	SB2-145017500140	168.00	200.00	15.00	SA2	SA2-168020000150
	175.00	14.00	TB2	TB2-145017500140	170.00	190.00	15.00	SA2	SA2-170019000150
	175.00	14.00	SC	SC-145017500140		200.00	12.00	SC	SC-170020000120
	175.00	15.00	SC	SC-145017500150					
	180.00	12.00	SC	SC-145018000120					
	180.00	14.00	TC	TC-145018000140					
	190.00	16.00	TC	TC-145019000160					

Metric Size List

Shaft Dia.	Bore Dia.	Seal Width	Seal Design	Seal Number	
170.00	200.00	14.00	TC	TC-170020000140	
	200.00	15.00	SA2	SA2-170020000150	
	200.00	15.00	TA2	TA2-170020000150	
	200.00	15.00	VA2	VA2-170020000150	
	200.00	15.00	KA2	KA2-170020000150	
	200.00	15.00	SB2	SB2-170020000150	
	200.00	15.00	TB2	TB2-170020000150	
	200.00	15.00	VB2	VB2-170020000150	
	200.00	15.00	KB2	KB2-170020000150	
	200.00	15.00	SC	SC-170020000150	
	200.00	15.00	TC	TC-170020000150	
	200.00	15.00	VC	VC-170020000150	
	200.00	15.00	KC	KC-170020000150	
	200.00	15.00	SBC	SBC-170020000150	
	200.00	15.00	TBC	TBC-170020000150	
	200.00	15.00	VBC	VBC-170020000150	
	200.00	15.00	KBC	KBC-170020000150	
	210.00	15.00	TC	TC-170021000150	
	175.00	200.00	15.00	SC	SC-175020000150
		200.00	15.00	TC	TC-175020000150
205.00		15.00	SC	SC-175020500150	
180.00	200.00	12.00	SB2	SB2-180020000120	
	200.00	15.00	SC	SC-180020000150	
	210.00	15.00	SA2	SA2-180021000150	
	210.00	15.00	TA2	TA2-180021000150	
	210.00	15.00	VA2	VA2-180021000150	
	210.00	15.00	KA2	KA2-180021000150	
	210.00	15.00	SB2	SB2-180021000150	
	210.00	15.00	TB2	TB2-180021000150	
	210.00	15.00	VB2	VB2-180021000150	
	210.00	15.00	KB2	KB2-180021000150	
	210.00	15.00	SC	SC-180021000150	
	210.00	15.00	TC	TC-180021000150	
	210.00	15.00	VC	VC-180021000150	
	210.00	15.00	KC	KC-180021000150	
	210.00	15.00	SBC	SBC-180021000150	
	210.00	15.00	TBC	TBC-180021000150	
	210.00	15.00	VBC	VBC-180021000150	
	210.00	15.00	KBC	KBC-180021000150	
	215.00	15.00	TC	TC-180021500150	
	215.00	16.00	SB2	SB2-180021500160	
	220.00	16.00	TB2	TB2-180022000160	
	185.00	210.00	13.00	SC	SC-185021000130
		210.00	13.00	TC	TC-185021000130
188.00	215.00	16.00	SA2	SA2-188021500160	
190.00	215.00	16.00	SA2	SA2-190021500160	
	220.00	15.00	SA2	SA2-190022000150	
	220.00	15.00	TA2	TA2-190022000150	
	220.00	15.00	VA2	VA2-190022000150	
	220.00	15.00	KA2	KA2-190022000150	
	220.00	15.00	SB2	SB2-190022000150	
	220.00	15.00	TB2	TB2-190022000150	
	220.00	15.00	VB2	VB2-190022000150	
	220.00	15.00	KB2	KB2-190022000150	
	220.00	15.00	SC	SC-190022000150	
	220.00	15.00	TC	TC-190022000150	
	220.00	15.00	VC	VC-190022000150	
	220.00	15.00	KC	KC-190022000150	
	220.00	15.00	SBC	SBC-190022000150	
	220.00	15.00	TBC	TBC-190022000150	
	220.00	15.00	VBC	VBC-190022000150	
	220.00	15.00	KBC	KBC-190022000150	

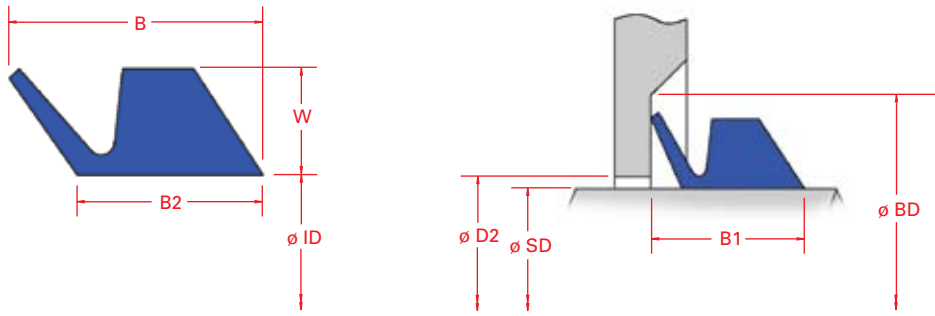
Shaft Dia.	Bore Dia.	Seal Width	Seal Design	Seal Number		
195.00	230.00	15.00	SA2	SA2-195023000150		
	200.00	230.00	15.00	SA2	SA2-200023000150	
		230.00	15.00	TA2	TA2-200023000150	
		230.00	15.00	VA2	VA2-200023000150	
		230.00	15.00	KA2	KA2-200023000150	
		230.00	15.00	SB2	SB2-200023000150	
		230.00	15.00	TB2	TB2-200023000150	
		230.00	15.00	VB2	VB2-200023000150	
		230.00	15.00	KB2	KB2-200023000150	
		230.00	15.00	SC	SC-200023000150	
		230.00	15.00	TC	TC-200023000150	
		230.00	15.00	VC	VC-200023000150	
		230.00	15.00	KC	KC-200023000150	
		230.00	15.00	SBC	SBC-200023000150	
		230.00	15.00	TBC	TBC-200023000150	
		230.00	15.00	VBC	VBC-200023000150	
		230.00	15.00	KBC	KBC-200023000150	
		210.00	240.00	15.00	SC	SC-210024000150
			250.00	15.00	SC	SC-210025000150
		220.00	250.00	15.00	SA2	SA2-220025000150
250.00	15.00		TA2	TA2-220025000150		
250.00	15.00		VA2	VA2-220025000150		
250.00	15.00		KA2	KA2-220025000150		
250.00	15.00		SB2	SB2-220025000150		
250.00	15.00		TB2	TB2-220025000150		
250.00	15.00		VB2	VB2-220025000150		
250.00	15.00		KB2	KB2-220025000150		
250.00	15.00		SC	SC-220025000150		
250.00	15.00		TC	TC-220025000150		
250.00	15.00		VC	VC-220025000150		
250.00	15.00		KC	KC-220025000150		
250.00	15.00		SBC	SBC-220025000150		
250.00	15.00		TBC	TBC-220025000150		
250.00	15.00		VBC	VBC-220025000150		
250.00	15.00		KBC	KBC-220025000150		
250.00	16.00		SA2	SA2-220025000160		
240.00	270.00		15.00	SA2	SA2-240027000150	
	270.00		15.00	TA2	TA2-240027000150	
	270.00	15.00	VA2	VA2-240027000150		
	270.00	15.00	KA2	KA2-240027000150		
	270.00	15.00	SB2	SB2-240027000150		
	270.00	15.00	TB2	TB2-240027000150		
	270.00	15.00	VB2	VB2-240027000150		
	270.00	15.00	KB2	KB2-240027000150		
	270.00	15.00	SC	SC-240027000150		
	270.00	15.00	TC	TC-240027000150		
270.00	15.00	VC	VC-240027000150			
250.00	270.00	15.00	KC	KC-240027000150		
	270.00	15.00	SBC	SBC-240027000150		
	270.00	15.00	TBC	TBC-240027000150		
	270.00	15.00	VBC	VBC-240027000150		
	270.00	15.00	KBC	KBC-240027000150		
	280.00	15.00	SC	SC-250028000150		
	260.00	300.00	20.00	SA2	SA2-260030000200	
		300.00	20.00	TA2	TA2-260030000200	
		300.00	20.00	VA2	VA2-260030000200	
		300.00	20.00	KA2	KA2-260030000200	
300.00		20.00	SB2	SB2-260030000200		
300.00		20.00	TB2	TB2-260030000200		
300.00		20.00	VB2	VB2-260030000200		
300.00		20.00	KB2	KB2-260030000200		
300.00		20.00	SC	SC-260030000200		

ESP METRIC SIZE LIST

Metric Size List

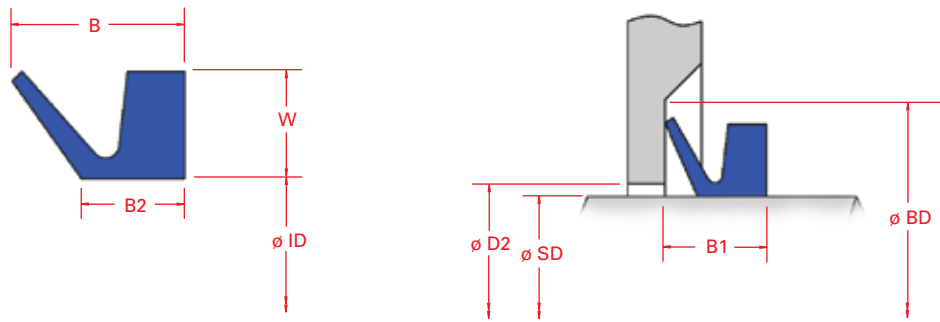
Shaft Dia.	Bore Dia.	Seal Width	Seal Design	Seal Number	Shaft Dia.	Bore Dia.	Seal Width	Seal Design	Seal Number
260.00	300.00	20.00	TC	TC-260030000200	340.00	380.00	20.00	TB2	TB2-340038000200
	300.00	20.00	VC	VC-260030000200		380.00	20.00	VB2	VB2-340038000200
	300.00	20.00	KC	KC-260030000200		380.00	20.00	KB2	KB2-340038000200
	300.00	20.00	SBC	SBC-260030000200		380.00	20.00	SC	SC-340038000200
	300.00	20.00	TBC	TBC-260030000200		380.00	20.00	TC	TC-340038000200
	300.00	20.00	VBC	VBC-260030000200		380.00	20.00	VC	VC-340038000200
	300.00	20.00	KBC	KBC-260030000200		380.00	20.00	KC	KC-340038000200
280.00	310.00	16.00	SC	SC-280031000160	380.00	20.00	SBC	SBC-340038000200	
	320.00	20.00	SA2	SA2-280032000200	380.00	20.00	TBC	TBC-340038000200	
	320.00	20.00	TA2	TA2-280032000200	380.00	20.00	VBC	VBC-340038000200	
	320.00	20.00	VA2	VA2-280032000200	380.00	20.00	KBC	KBC-340038000200	
	320.00	20.00	KA2	KA2-280032000200	360.00	400.00	20.00	SA2	SA2-360040000200
	320.00	20.00	SB2	SB2-280032000200		400.00	20.00	TA2	TA2-360040000200
	320.00	20.00	TB2	TB2-280032000200		400.00	20.00	VA2	VA2-360040000200
	320.00	20.00	VB2	VB2-280032000200		400.00	20.00	KA2	KA2-360040000200
	320.00	20.00	KB2	KB2-280032000200		400.00	20.00	SB2	SB2-360040000200
	320.00	20.00	SC	SC-280032000200		400.00	20.00	TB2	TB2-360040000200
	320.00	20.00	TC	TC-280032000200		400.00	20.00	VB2	VB2-360040000200
	320.00	20.00	VC	VC-280032000200		400.00	20.00	KB2	KB2-360040000200
	320.00	20.00	KC	KC-280032000200		400.00	20.00	SC	SC-360040000200
	320.00	20.00	SBC	SBC-280032000200		400.00	20.00	TC	TC-360040000200
	320.00	20.00	TBC	TBC-280032000200		400.00	20.00	VC	VC-360040000200
320.00	20.00	VBC	VBC-280032000200	400.00		20.00	KC	KC-360040000200	
320.00	20.00	KBC	KBC-280032000200	400.00		20.00	SBC	SBC-360040000200	
300.00	340.00	18.00	SC	SC-300034000180		400.00	20.00	TBC	TBC-360040000200
	340.00	20.00	SA2	SA2-300034000200		400.00	20.00	VBC	VBC-360040000200
	340.00	20.00	TA2	TA2-300034000200	400.00	20.00	KBC	KBC-360040000200	
	340.00	20.00	VA2	VA2-300034000200	380.00	420.00	20.00	SA2	SA2-380042000200
	340.00	20.00	KA2	KA2-300034000200		420.00	20.00	TA2	TA2-380042000200
	340.00	20.00	SB2	SB2-300034000200		420.00	20.00	VA2	VA2-380042000200
	340.00	20.00	TB2	TB2-300034000200		420.00	20.00	KA2	KA2-380042000200
	340.00	20.00	VB2	VB2-300034000200		420.00	20.00	SB2	SB2-380042000200
	340.00	20.00	KB2	KB2-300034000200		420.00	20.00	TB2	TB2-380042000200
	340.00	20.00	SC	SC-300034000200		420.00	20.00	VB2	VB2-380042000200
	340.00	20.00	TC	TC-300034000200		420.00	20.00	KB2	KB2-380042000200
	340.00	20.00	VC	VC-300034000200		420.00	20.00	SC	SC-380042000200
	340.00	20.00	KC	KC-300034000200		420.00	20.00	TC	TC-380042000200
	340.00	20.00	SBC	SBC-300034000200		420.00	20.00	VC	VC-380042000200
	340.00	20.00	TBC	TBC-300034000200		420.00	20.00	KC	KC-380042000200
340.00	20.00	VBC	VBC-300034000200	420.00		20.00	SBC	SBC-380042000200	
340.00	20.00	KBC	KBC-300034000200	420.00		20.00	TBC	TBC-380042000200	
320.00	360.00	20.00	SA2	SA2-320036000200		420.00	20.00	VBC	VBC-380042000200
	360.00	20.00	TA2	TA2-320036000200	420.00	20.00	KBC	KBC-380042000200	
	360.00	20.00	VA2	VA2-320036000200	400.00	440.00	20.00	SA2	SA2-400044000200
	360.00	20.00	KA2	KA2-320036000200		440.00	20.00	TA2	TA2-400044000200
	360.00	20.00	SB2	SB2-320036000200		440.00	20.00	VA2	VA2-400044000200
	360.00	20.00	TB2	TB2-320036000200		440.00	20.00	KA2	KA2-400044000200
	360.00	20.00	VB2	VB2-320036000200		440.00	20.00	SB2	SB2-400044000200
	360.00	20.00	KB2	KB2-320036000200		440.00	20.00	TB2	TB2-400044000200
	360.00	20.00	SC	SC-320036000200		440.00	20.00	VB2	VB2-400044000200
	360.00	20.00	TC	TC-320036000200		440.00	20.00	KB2	KB2-400044000200
	360.00	20.00	VC	VC-320036000200		440.00	20.00	SC	SC-400044000200
	360.00	20.00	KC	KC-320036000200		440.00	20.00	TC	TC-400044000200
	360.00	20.00	SBC	SBC-320036000200		440.00	20.00	VC	VC-400044000200
	360.00	20.00	TBC	TBC-320036000200		440.00	20.00	KC	KC-400044000200
	360.00	20.00	VBC	VBC-320036000200		440.00	20.00	SBC	SBC-400044000200
360.00	20.00	KBC	KBC-320036000200	440.00		20.00	TBC	TBC-400044000200	
340.00	380.00	20.00	SA2	SA2-340038000200		440.00	20.00	VBC	VBC-400044000200
	380.00	20.00	TA2	TA2-340038000200	440.00	20.00	KBC	KBC-400044000200	
	380.00	20.00	VA2	VA2-340038000200					
	380.00	20.00	KA2	KA2-340038000200					
	380.00	20.00	SB2	SB2-340038000200					

Metric Size List, RVS Seals



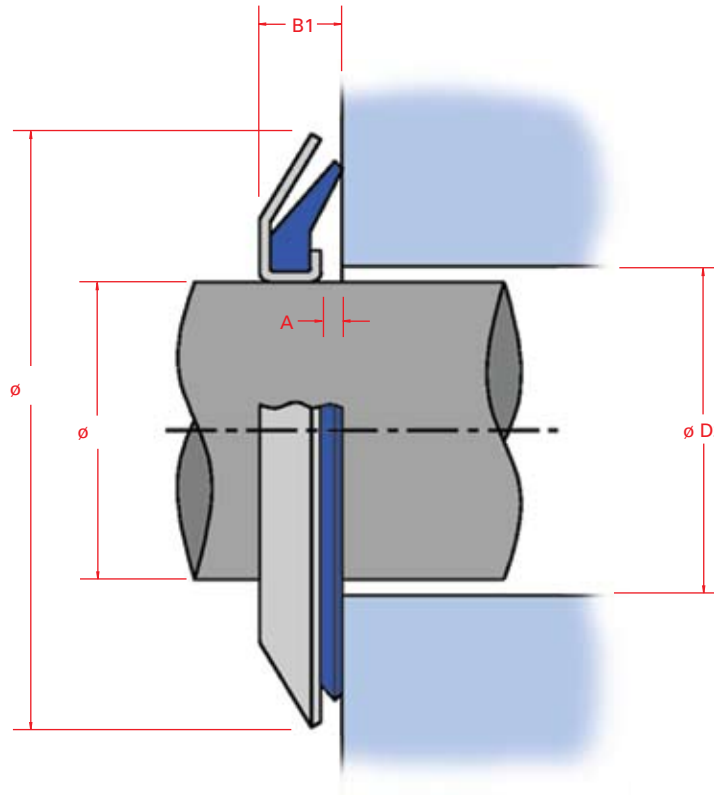
Shaft Diameter øSD	Minimum øBD =(SD+)	Maximum øD2 =(SD+)	Seal Diameter øID	Profile Height W	Profile Width B2	Total Width B	Installed Width B1	Seal Number
4.60-5.30	6.10	1.00	4.00	2.00	3.90	5.20	4.10-4.90	RVS-0050
5.30-6.60	6.10	1.00	5.00	2.00	3.90	5.20	4.10-4.90	RVS-0060
6.60-7.90	6.10	1.00	6.00	2.00	3.90	5.20	4.10-4.90	RVS-0070
7.90-9.40	6.10	1.00	7.00	2.00	3.90	5.20	4.10-4.90	RVS-0080
9.40-11.40	8.90	2.00	9.00	3.00	5.60	7.70	6.20-7.20	RVS-0100
11.40-13.50	8.90	2.00	10.50	3.00	5.60	7.70	6.20-7.20	RVS-0120
13.50-15.50	8.90	2.00	12.50	3.00	5.60	7.70	6.20-7.20	RVS-0140
15.50-17.50	8.90	2.00	14.00	3.00	5.60	7.70	6.20-7.20	RVS-0160
17.50-19.10	8.90	2.00	16.00	3.00	5.60	7.70	6.20-7.20	RVS-0180
19.10-21.10	11.90	2.00	18.00	4.00	7.90	10.50	8.20-9.80	RVS-0200
21.10-24.10	11.90	2.00	20.00	4.00	7.90	10.50	8.20-9.80	RVS-0220
24.10-27.20	11.90	2.00	22.00	4.00	7.90	10.50	8.20-9.80	RVS-0250
27.20-29.00	11.90	3.00	25.00	4.00	7.90	10.50	8.20-9.80	RVS-0280
29.00-31.00	11.90	3.00	27.00	4.00	7.90	10.50	8.20-9.80	RVS-0300
31.00-33.00	11.90	3.00	29.00	4.00	7.90	10.50	8.20-9.80	RVS-0320
33.00-36.10	11.90	3.00	31.00	4.00	7.90	10.50	8.20-9.80	RVS-0350
36.10-38.10	11.90	3.00	34.00	4.00	7.90	10.50	8.20-9.80	RVS-0380
38.10-43.20	15.00	3.00	36.00	5.00	9.50	13.00	10.00-11.00	RVS-0400
43.20-48.00	15.00	3.00	40.00	5.00	9.50	13.00	10.00-11.00	RVS-0450
48.00-53.10	15.00	3.00	45.00	5.00	9.50	13.00	10.00-11.00	RVS-0500
53.10-58.20	15.00	3.00	49.00	5.00	9.50	13.00	10.00-11.00	RVS-0550
58.20-63.00	15.00	3.00	54.00	5.00	9.50	13.00	10.00-11.00	RVS-0600
63.00-68.10	15.00	3.00	58.00	5.00	9.50	13.00	10.00-11.00	RVS-0650
68.10-73.20	18.00	4.10	63.00	6.00	11.30	15.50	12.20-14.80	RVS-0700
73.20-78.00	18.00	4.10	67.00	6.00	11.30	15.50	12.20-14.80	RVS-0750
78.00-83.10	18.00	4.10	72.00	6.00	11.30	15.50	12.20-14.80	RVS-0800
83.10-88.10	18.00	4.10	76.00	6.00	11.30	15.50	12.20-14.80	RVS-0850
88.10-93.00	18.00	4.10	81.00	6.00	11.30	15.50	12.20-14.80	RVS-0900
93.00-98.00	18.00	4.10	85.00	6.00	11.30	15.50	12.20-14.80	RVS-0950
98.00-105.2	18.00	4.10	90.00	6.00	11.30	15.50	12.20-14.80	RVS-1000
105.2-115.10	21.10	4.10	99.00	7.00	13.10	18.00	14.00-17.00	RVS-1100
115.10-125.00	21.10	4.10	108.00	7.00	13.10	18.00	14.00-17.00	RVS-1200
125.00-135.10	21.10	4.10	117.00	7.00	13.10	18.00	14.00-17.00	RVS-1300
135.10-145.00	21.10	4.10	126.00	7.00	13.10	18.00	14.00-17.00	RVS-1400
145.00-155.00	21.10	4.10	135.00	7.00	13.10	18.00	14.00-17.00	RVS-1500
155.00-165.10	23.90	5.10	144.00	8.00	15.00	20.50	16.20-19.80	RVS-1600
165.10-175.00	23.90	5.10	153.00	8.00	15.00	20.50	16.20-19.80	RVS-1700
175.00-185.20	23.90	5.10	162.00	8.00	15.00	20.50	16.20-19.80	RVS-1800
185.20-195.10	23.90	5.10	171.00	8.00	15.00	20.50	16.20-19.80	RVS-1900
195.10-210.00	23.90	5.10	180.00	8.00	15.00	20.50	16.20-19.80	RVS-1990

Metric Size List, RVA Seals



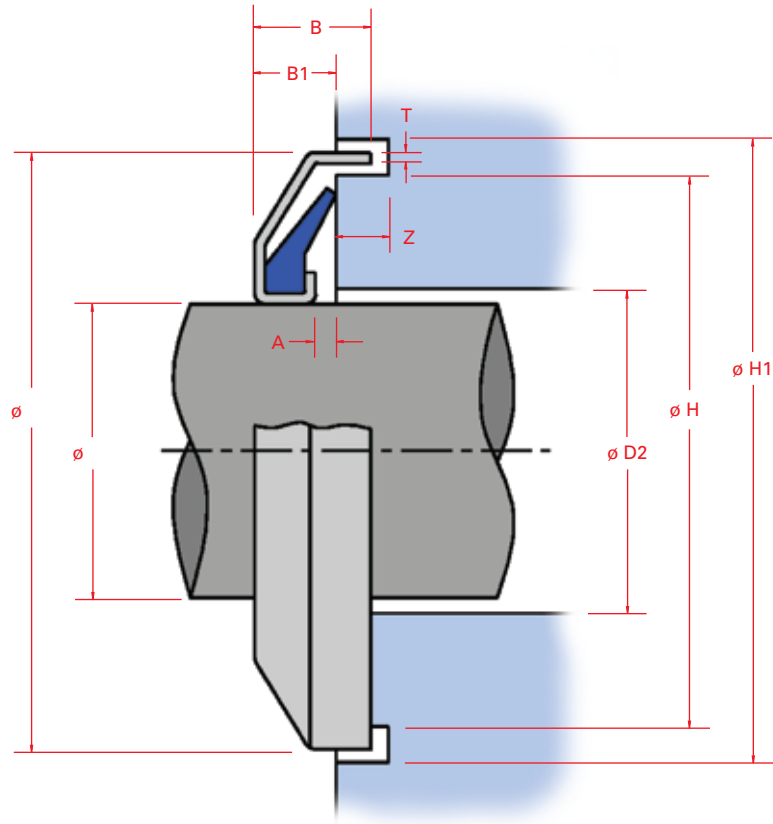
Shaft Diameter øSD	Minimum øBD =(SD+)	Maximum øD2 =(SD+)	Seal Diameter øID	Profile Height W	Profile Width B2	Total Width B	Installed Width B1	Seal Number
2.80-3.60	4.10	1.00	2.50	1.50	2.10	3.00	2.20-2.80	RVA-0030
3.60-4.60	6.10	1.00	3.20	2.00	2.40	3.70	2.70-3.50	RVA-0040
4.60-5.30	6.10	1.00	4.00	2.00	2.40	3.70	2.70-3.50	RVA-0050
5.30-6.60	6.10	1.00	5.00	2.00	2.40	3.70	2.70-3.50	RVA-0060
6.60-7.90	6.10	1.00	6.00	2.00	2.40	3.70	2.70-3.50	RVA-0070
7.90-9.40	6.10	1.00	7.00	2.00	2.40	3.70	2.70-3.50	RVA-0080
9.40-11.40	8.90	2.00	9.00	3.00	3.40	5.50	4.10-5.10	RVA-0100
11.40-12.40	8.90	2.00	10.50	3.00	3.40	5.50	4.10-5.10	RVA-0120
12.40-13.50	8.90	2.00	11.70	3.00	3.40	5.50	4.10-5.10	RVA-0130
13.50-15.50	8.90	2.00	12.50	3.00	3.40	5.50	4.10-5.10	RVA-0140
15.50-17.50	8.90	2.00	14.00	3.00	3.40	5.50	4.10-5.10	RVA-0160
17.50-19.10	8.90	2.00	16.00	3.00	3.40	5.50	4.10-5.10	RVA-0180
19.10-21.10	11.90	2.00	18.00	4.00	4.70	7.50	5.30-6.90	RVA-0200
21.10-24.10	11.90	2.00	20.00	4.00	4.70	7.50	5.30-6.90	RVA-0220
24.10-27.20	11.90	2.00	22.00	4.00	4.70	7.50	5.30-6.90	RVA-0250
27.20-29.00	11.90	3.00	25.00	4.00	4.70	7.50	5.30-6.90	RVA-0280
29.00-31.00	11.90	3.00	27.00	4.00	4.70	7.50	5.30-6.90	RVA-0300
31.00-33.00	11.90	3.00	29.00	4.00	4.70	7.50	5.30-6.90	RVA-0320
33.00-36.10	11.90	3.00	31.00	4.00	4.70	7.50	5.30-6.90	RVA-0350
36.10-38.10	11.90	3.00	34.00	4.00	4.70	7.50	5.30-6.90	RVA-0380
38.10-43.20	15.00	3.00	36.00	5.00	5.50	9.00	6.10-8.10	RVA-0400
43.20-48.00	15.00	3.00	40.00	5.00	5.50	9.00	6.10-8.10	RVA-0450
48.00-53.10	15.00	3.00	45.00	5.00	5.50	9.00	6.10-8.10	RVA-0500
53.10-58.20	15.00	3.00	49.00	5.00	5.50	9.00	6.10-8.10	RVA-0550
58.20-63.00	15.00	3.00	54.00	5.00	5.50	9.00	6.10-8.10	RVA-0600
63.00-68.10	15.00	3.00	58.00	5.00	5.50	9.00	6.10-8.10	RVA-0650
68.10-73.20	18.00	4.10	63.00	6.00	6.80	11.00	7.60-10.20	RVA-0700
73.20-78.00	18.00	4.10	67.00	6.00	6.80	11.00	7.60-10.20	RVA-0750
78.00-83.10	18.00	4.10	72.00	6.00	6.80	11.00	7.60-10.20	RVA-0800
83.10-88.10	18.00	4.10	76.00	6.00	6.80	11.00	7.60-10.20	RVA-0850
88.10-93.00	18.00	4.10	81.00	6.00	6.80	11.00	7.60-10.20	RVA-0900
93.00-98.00	18.00	4.10	85.00	6.00	6.80	11.00	7.60-10.20	RVA-0950
98.00-105.20	18.00	4.10	90.00	6.00	6.80	11.00	7.60-10.20	RVA-1000
105.20-115.10	21.10	4.10	99.00	7.00	7.90	12.80	8.90-11.90	RVA-1100
115.10-125.00	21.10	4.10	108.00	7.00	7.90	12.80	8.90-11.90	RVA-1200
125.00-135.10	21.10	4.10	117.00	7.00	7.90	12.80	8.90-11.90	RVA-1300
135.10-145.00	21.10	4.10	126.00	7.00	7.90	12.80	8.90-11.90	RVA-1400
145.00-155.00	21.10	4.10	135.00	7.00	7.90	12.80	8.90-11.90	RVA-1500
155.00-165.10	23.90	5.10	144.00	8.00	9.00	14.50	10.10-13.70	RVA-1600
165.10-175.00	23.90	5.10	153.00	8.00	9.00	14.50	10.10-13.70	RVA-1700
175.00-185.20	23.90	5.10	162.00	8.00	9.00	14.50	10.10-13.70	RVA-1800
185.20-195.10	23.90	5.10	171.00	8.00	9.00	14.50	10.10-13.70	RVA-1900
195.10-210.10	23.90	5.10	180.00	8.00	9.00	14.50	10.10-13.70	RVA-1990

Metric Size List, RO Seals



Shaft Dia. øSD	Max. øD2	Installed Width B1	A	Seal O.D. øOD	Seal Number	Shaft Dia. øSD	Max. øD2	Installed Width B1	A	Seal O.D. øOD	Seal Number
10.0	15.00	3.50	1.00	24.00	RO-0100	55.0	63.00	5.50	1.00	75.00	RO-0550
11.0	17.00	3.50	1.00	26.00	RO-0110	58.0	66.00	5.50	1.00	78.00	RO-0580
12.0	17.00	3.50	1.00	26.00	RO-0120	60.0	68.00	5.50	1.00	80.00	RO-0600
14.0	21.00	4.00	1.00	30.00	RO-0140	62.0	70.00	5.50	1.00	82.00	RO-0620
15.0	21.00	4.00	1.00	30.00	RO-0150	65.0	73.00	5.50	1.00	85.00	RO-0650
16.0	23.00	4.00	1.00	32.00	RO-0160	69.0	76.00	5.50	1.00	88.00	RO-0680
17.0	23.00	4.00	1.00	32.00	RO-0170	70.0	78.00	5.50	1.00	90.00	RO-0700
18.0	24.00	4.00	1.00	33.00	RO-0180	72.0	80.00	5.50	1.00	92.00	RO-0720
20.0	26.00	4.00	1.00	35.00	RO-0200	75.0	83.00	5.50	1.00	95.00	RO-0750
22.0	31.00	4.00	1.00	40.00	RO-0220	78.0	86.00	5.50	1.00	98.00	RO-0780
24.0	31.00	4.00	1.00	40.00	RO-0240	80.0	88.00	5.50	1.00	100.00	RO-0800
25.0	31.00	4.00	1.00	40.00	RO-0250	85.0	93.00	5.50	1.00	105.00	RO-0850
26.0	31.00	4.00	1.00	40.00	RO-0260	90.0	98.00	5.50	1.00	110.00	RO-0900
28.0	34.00	4.00	1.00	43.00	RO-0280	95.0	103.00	5.50	1.00	115.00	RO-0950
30.0	37.00	4.50	1.00	47.00	RO-0300	100.0	108.00	5.50	1.00	120.00	RO-1000
32.0	39.00	4.50	1.00	49.00	RO-0320	105.0	113.00	5.50	1.00	125.00	RO-1050
35.0	42.00	4.50	1.00	52.00	RO-0350	135.0	145.00	6.50	1.00	159.00	RO-1350
38.0	45.00	4.50	1.00	55.00	RO-0380	225.0	235.00	7.50	1.00	250.00	RO-2250
40.0	47.00	4.50	1.00	57.00	RO-0400						
41.0	48.00	4.50	1.00	57.00	RO-0410						
42.0	49.00	4.50	1.00	59.00	RO-0420						
45.0	52.00	4.50	1.00	62.00	RO-0450						
48.0	55.00	4.50	1.00	65.00	RO-0480						
50.0	58.00	5.50	1.00	70.00	RO-0500						
52.0	60.00	5.50	1.00	72.00	RO-0520						

Metric Size List, ROE Seals



Shaft Dia. ϕSD	Max. Installed Width $\phi D2$	Installed Width $B1$	A	Seal O.D. ϕOD	Total Width B	Thick-ness T	ϕH	$\phi H1$	Z	Seal Number
15.0	21.0	4.0	1.0	32.0	6.0	0.50	29.0	34.0	3.0	ROE-015003200060
17.0	23.0	4.0	1.0	34.0	6.0	0.50	31.0	36.0	3.0	ROE-017003400060
20.0	26.0	4.0	1.0	37.0	6.0	0.50	34.0	39.0	3.0	ROE-020003700060
25.0	31.0	4.0	1.0	42.0	6.0	0.50	39.0	44.0	3.0	ROE-025004200060
30.0	37.0	4.5	1.0	48.0	6.5	0.50	45.0	50.0	3.0	ROE-030004800065
35.0	42.0	4.5	1.0	53.0	6.5	0.50	50.0	55.0	3.0	ROE-035005300065
40.0	47.0	4.5	1.0	58.0	6.5	0.50	55.0	60.0	3.0	ROE-040005800065
45.0	52.0	4.5	1.0	63.0	6.5	0.50	60.0	65.0	3.0	ROE-045006300065
50.0	58.0	5.5	1.0	72.0	7.5	0.75	68.5	74.0	3.0	ROE-050007200075
55.0	63.0	5.5	1.0	77.0	7.5	0.75	73.5	79.0	3.0	ROE-055007700075
60.0	68.0	5.5	1.0	82.0	7.5	0.75	78.5	84.0	3.0	ROE-060008200075
65.0	73.0	5.5	1.0	87.0	7.5	0.75	83.5	89.0	3.0	ROE-065008700075
70.0	78.0	5.5	1.0	92.0	7.5	0.75	88.5	94.0	3.0	ROE-070009200075
75.0	83.0	5.5	1.0	97.0	7.5	0.75	93.5	99.0	3.0	ROE-075009700075
80.0	88.0	5.5	1.0	102.0	7.5	0.75	98.5	104.0	3.0	ROE-080010200075
85.0	93.0	5.5	1.0	107.0	7.5	0.75	103.5	109.0	3.0	ROE-085010700075
90.0	98.0	5.5	1.0	112.0	7.5	0.75	108.5	114.0	3.0	ROE-090011200075
95.0	103.0	5.5	1.0	117.0	7.5	0.75	113.5	119.0	3.0	ROE-095011700075
100.0	108.0	5.5	1.0	122.0	7.5	0.75	118.5	124.0	3.0	ROE-100012200075